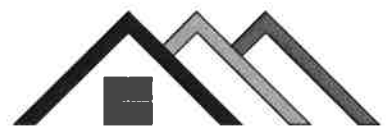


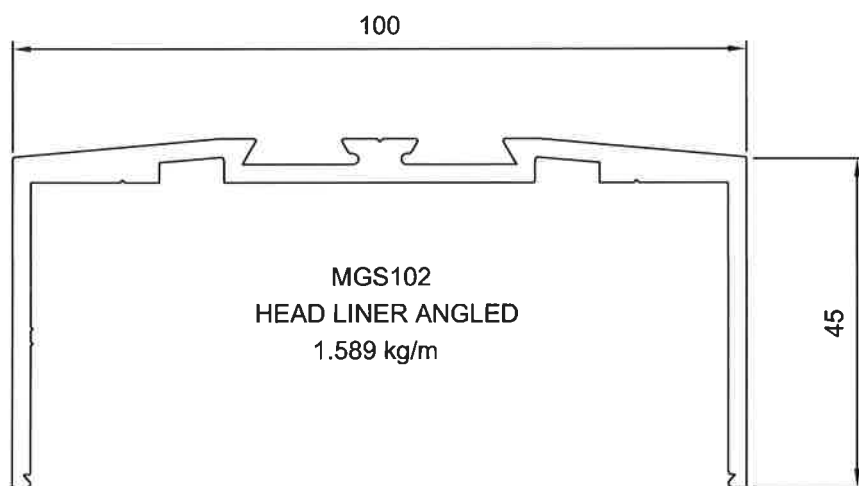
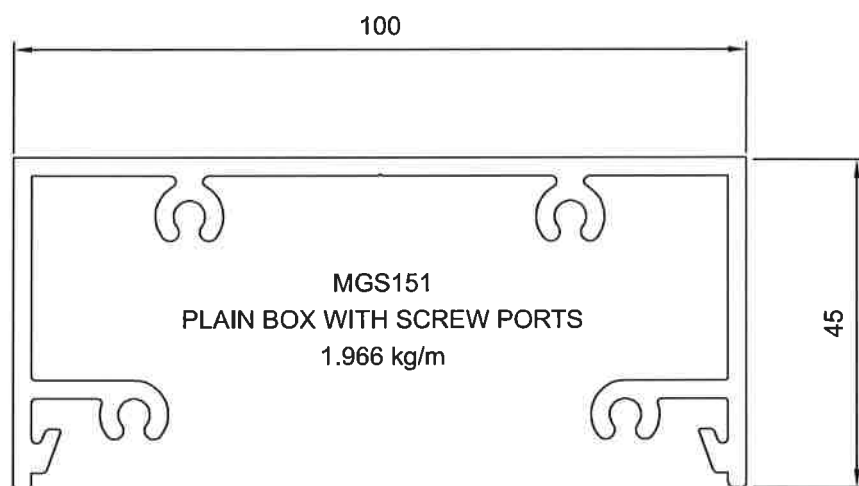
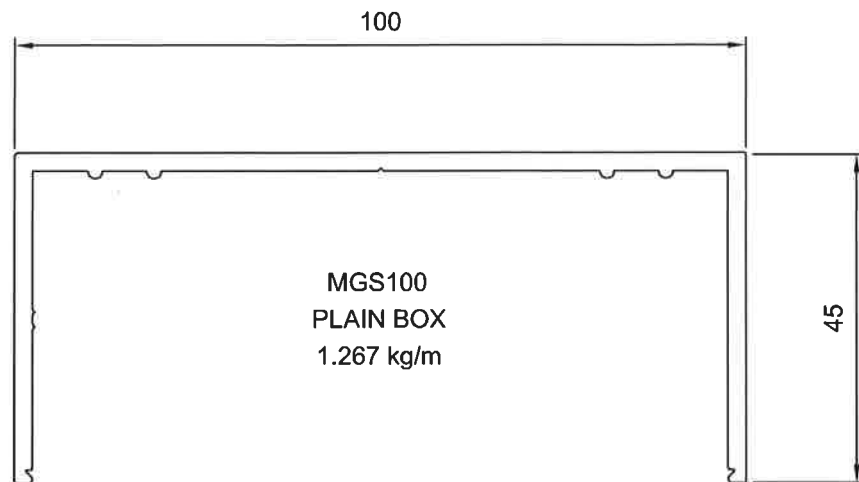
SECTION

2

BAR PROFILES

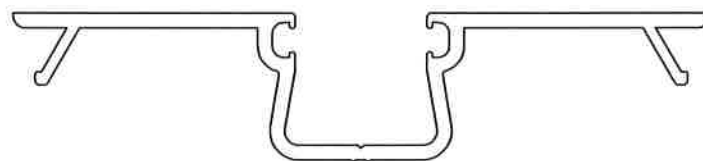
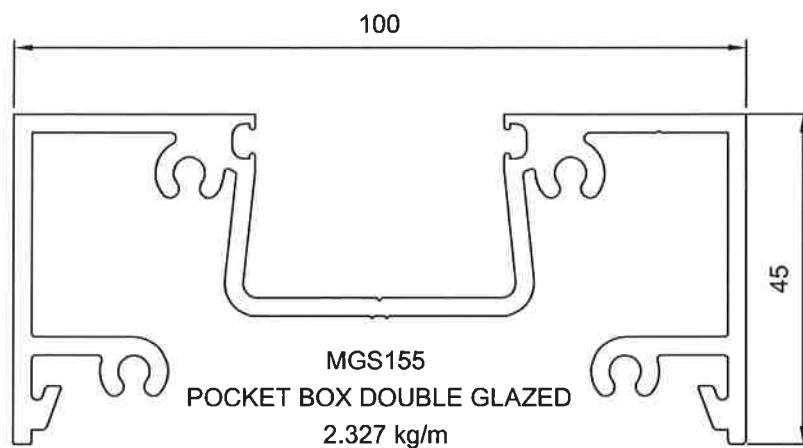
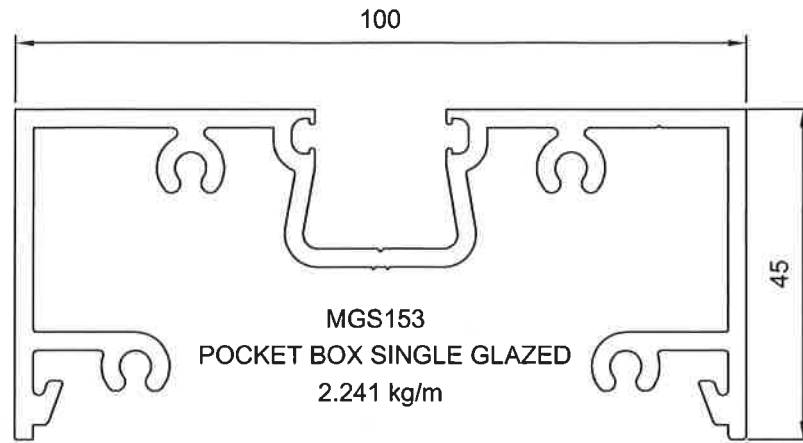


AliMet Fabrications Ltd



Issue 01:- February 2020.

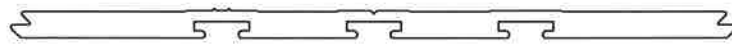
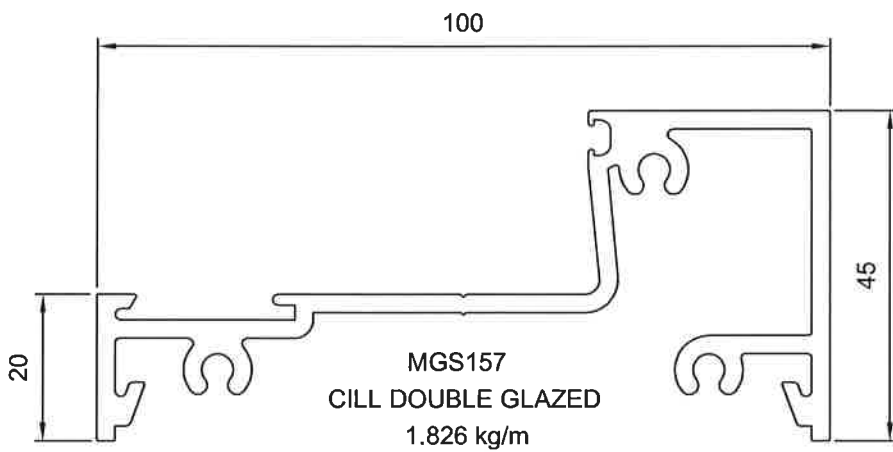
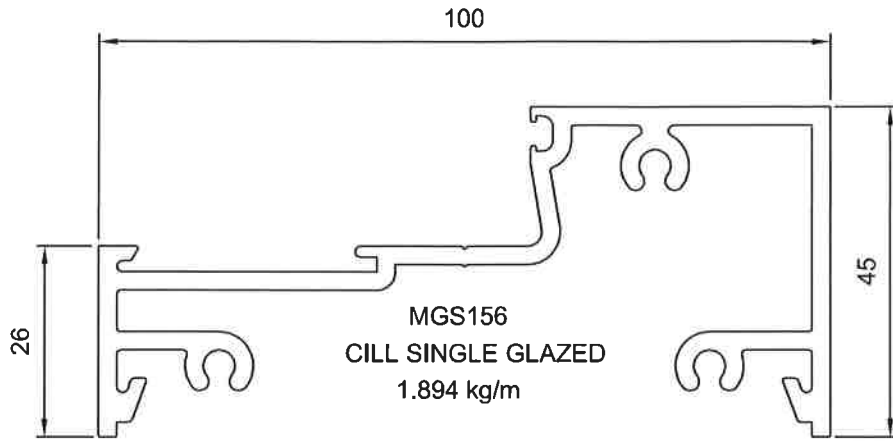
© This drawing sheet is issued subject to the condition that it is not to be reproduced without the consent of AliMet Fabrications Limited.



MGS108
POCKET PLATE SINGLE GLAZED
0.803 kg/m



MGS111
POCKET PLATE DOUBLE GLAZED
0.762 kg/m



MGS103
WEATHERSTRIP PLATE
0.839 kg/m



MGS171
PLAIN PLATE
0.582 kg/m



MGS147
PLAIN PLATE
0.553 kg/m

Issue 01:- February 2020.

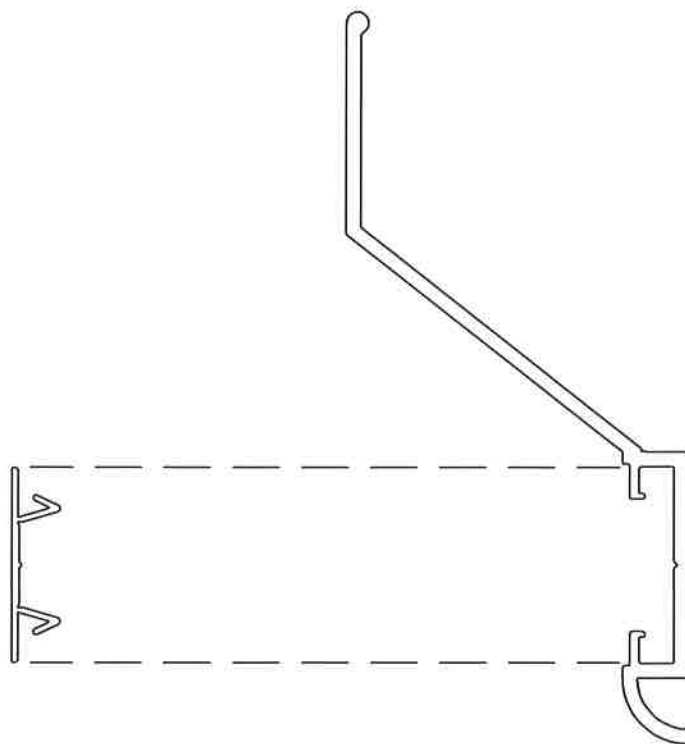
© This drawing sheet is issued subject to the condition that it is not to be reproduced without the consent of AliMet Fabrications Limited.



MGS145
POCKET FILLER SINGLE GLAZED (SLIDE IN)
0.152 kg/m



MGS116
POCKET FILLER SINGLE GLAZED (PUSH IN)
0.243 kg/m



MGS183
SNAP IN COVER CAP
0.102 kg/m

MGS182
DEFLECTOR
0.767 kg/m

Issue 01:- February 2020.

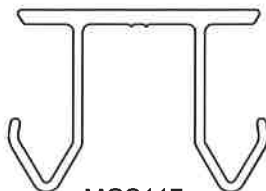
© This drawing sheet is issued subject to the condition that it is not to be reproduced without the consent of AliMet Fabrications Limited.



MGS144

POCKET FILLER DOUBLE GLAZED (SLIDE IN)

0.239 kg/m



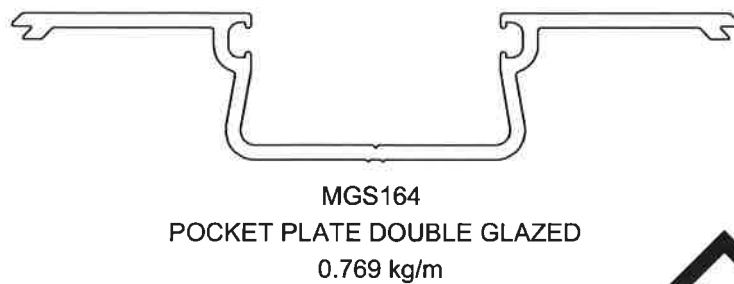
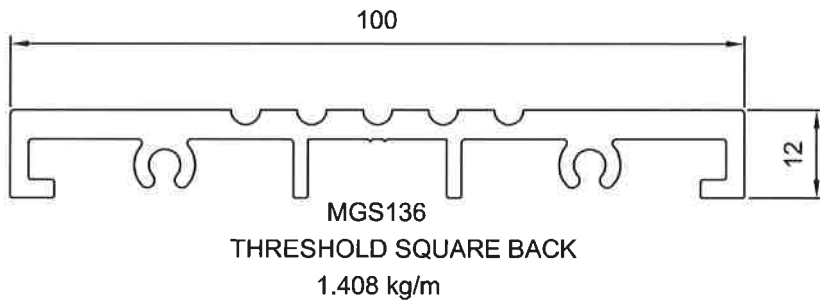
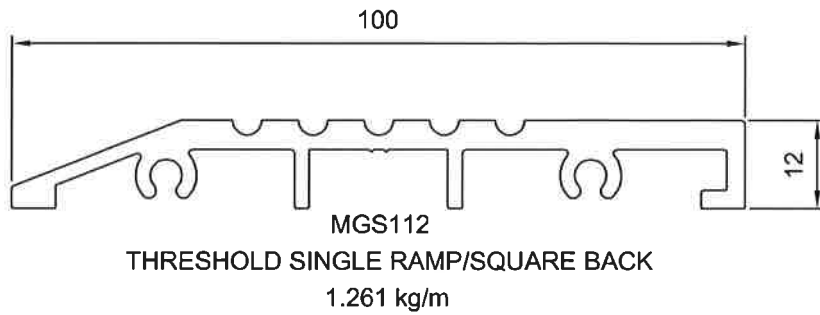
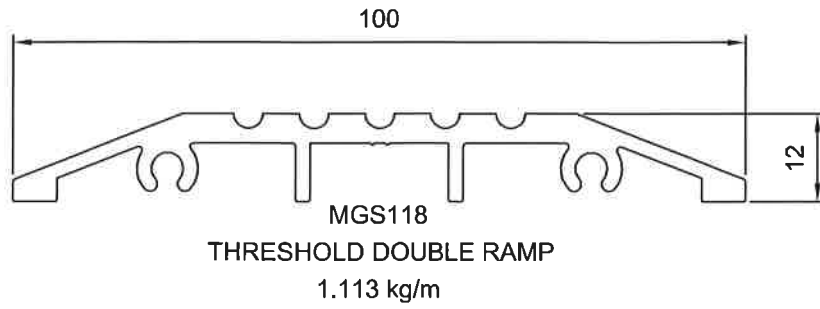
MGS117

POCKET FILLER DOUBLE GLAZED (PUSH IN)

0.422 kg/m

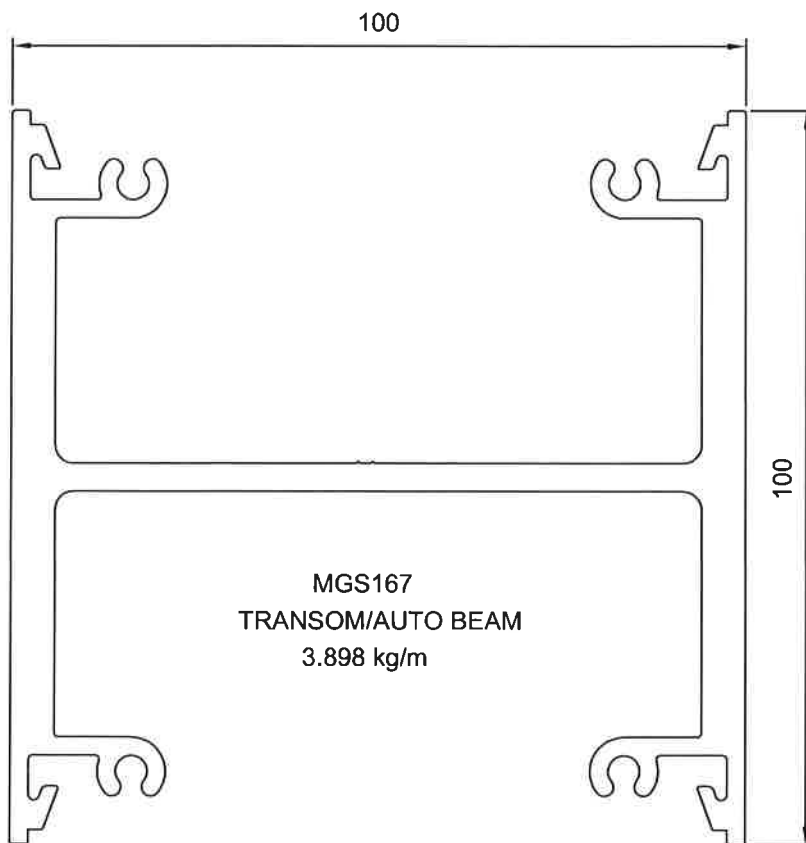
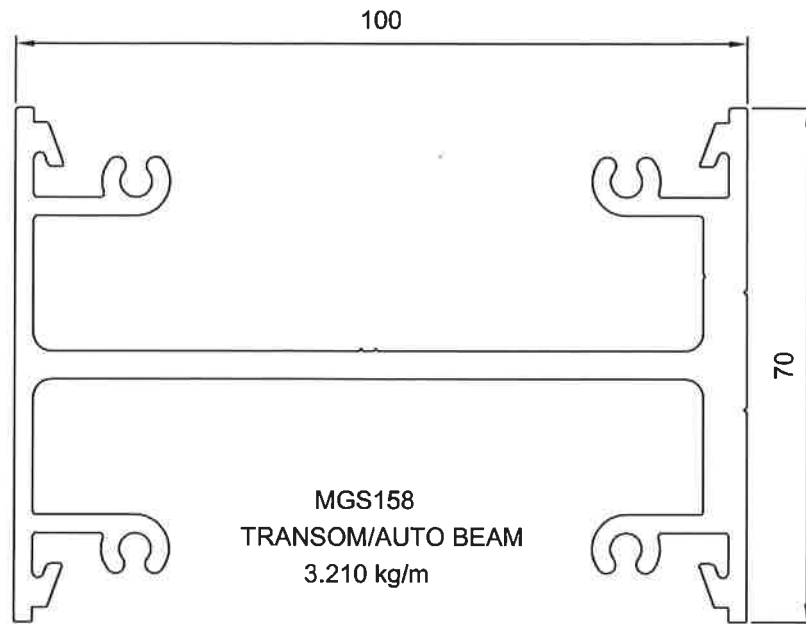
Issue 01:- February 2020.

© This drawing sheet is issued subject to the condition that it is not to be reproduced without the consent of AliMet Fabrications Limited.



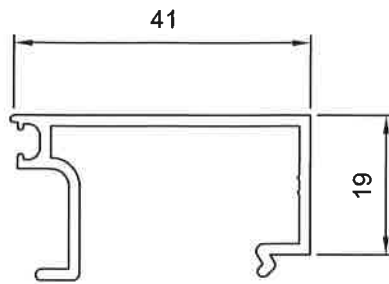
Issue 01:- February 2020.

© This drawing sheet is issued subject to the condition that it is not to be reproduced without the consent of AliMet Fabrications Limited.

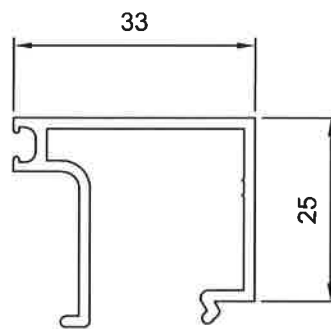


Issue 01:- February 2020.

© This drawing sheet is issued subject to the condition that it is not to be reproduced without the consent of AliMet Fabrications Limited.



MGS114
 BEAD FLAT SINGLE GLAZED
 0.398 kg/m



MGS115
 BEAD FLAT DOUBLE GLAZED
 0.419 kg/m



MGS-GW3409
 (WEDGE)
 (BROWN)



MGS-GW6631
 (WEDGE)
 (RED)



MGS-GW5536
 (WEDGE)
 (GREEN)



MGS-CG10000
 (CAPTIVE)
 (BLACK)



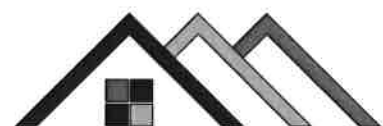
MGS-CG9999
 (CAPTIVE)
 (BLACK)



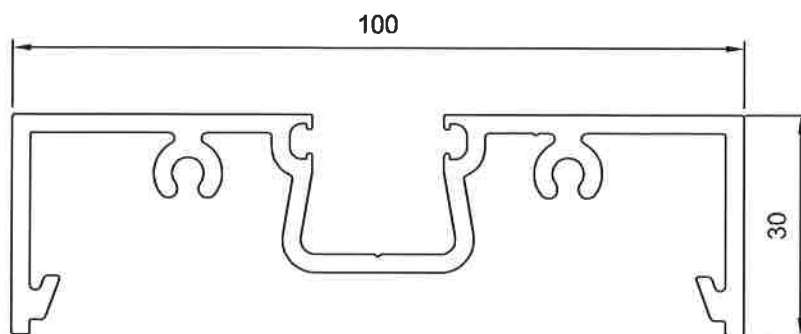
MGS-GT1202B
 (GLAZING TAPE)
 (BLACK)

Issue 01:- February 2020.

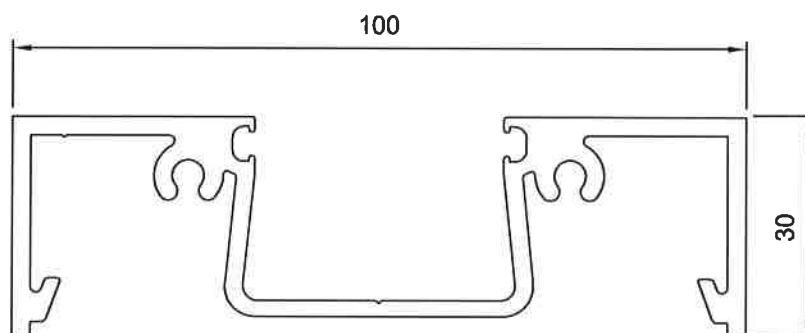
© This drawing sheet is issued subject to the condition that it is not to be reproduced without the consent of AliMet Fabrications Limited.



AliMet Fabrications Ltd



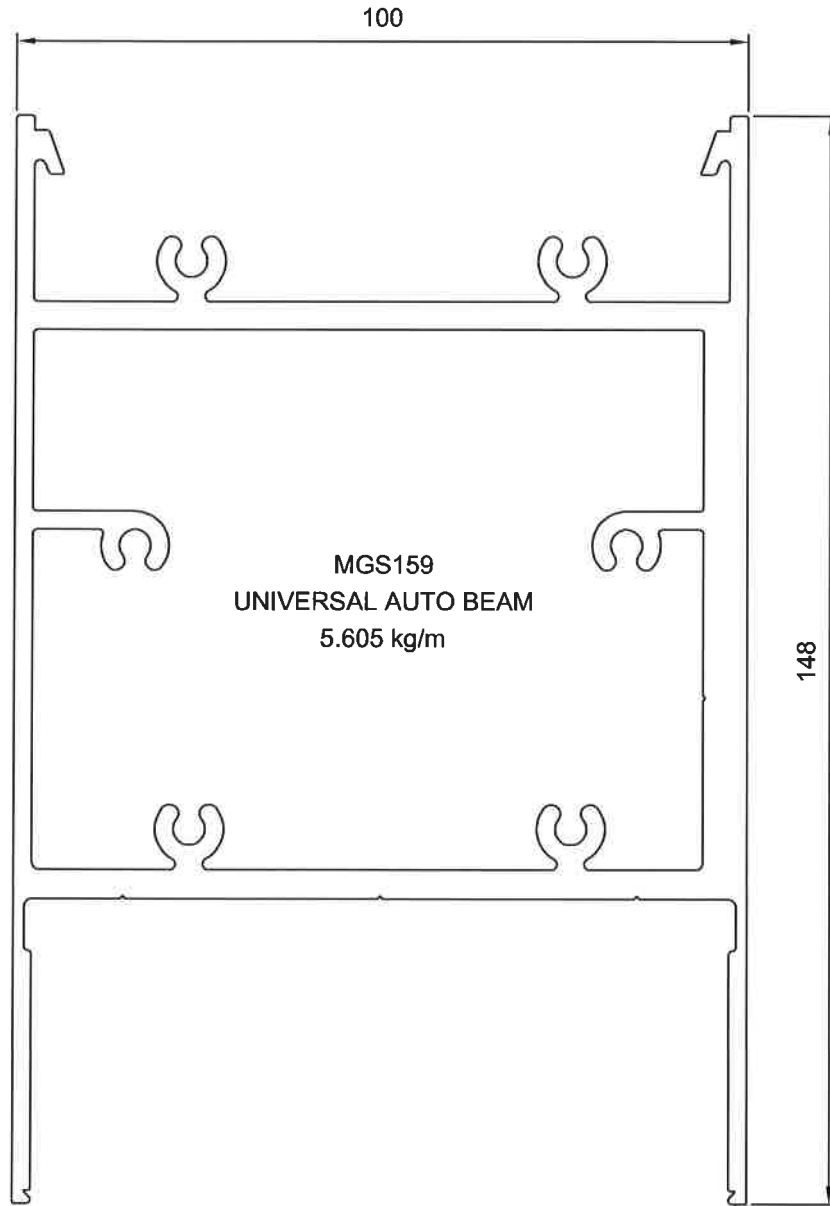
MGS148
30MM POCKET BOX SINGLE GLAZED
1.656 kg/m



MGS149
30MM POCKET BOX DOUBLE GLAZED
1.716 kg/m

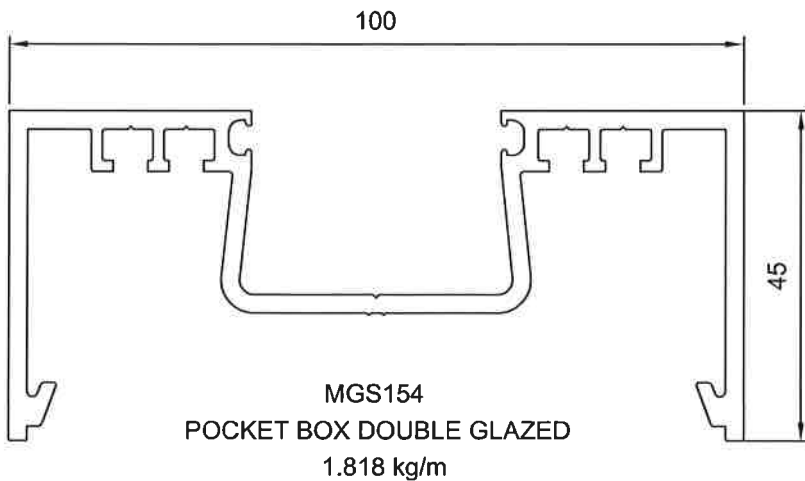
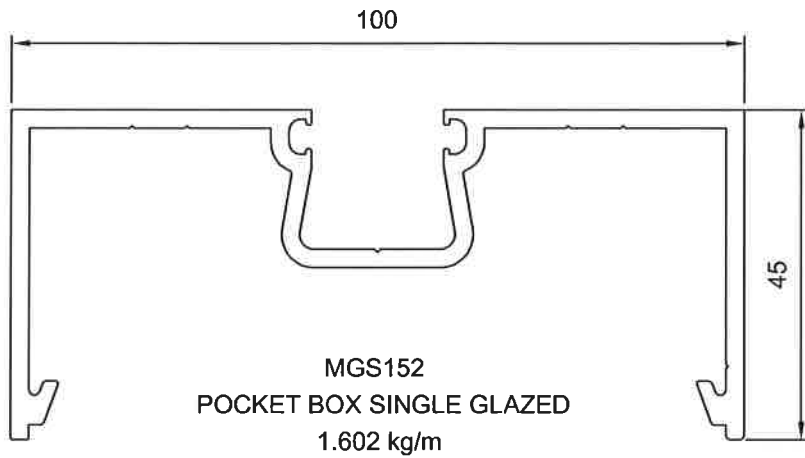
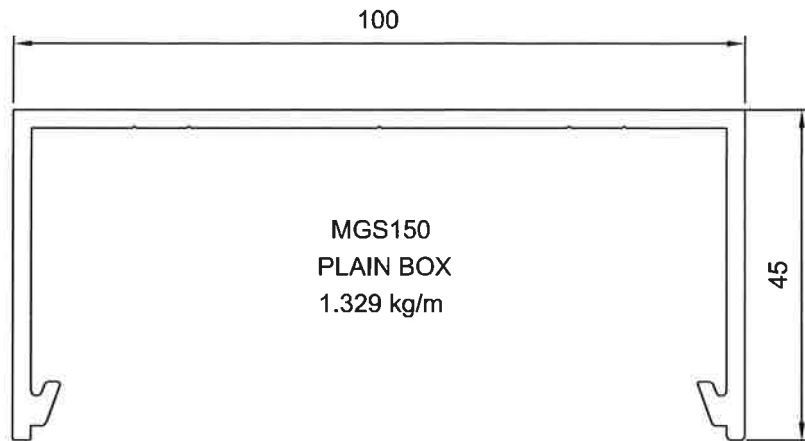
Issue 01:- February 2020.

© This drawing sheet is issued subject to the condition that it is not to be reproduced without the consent of AliMet Fabrications Limited.



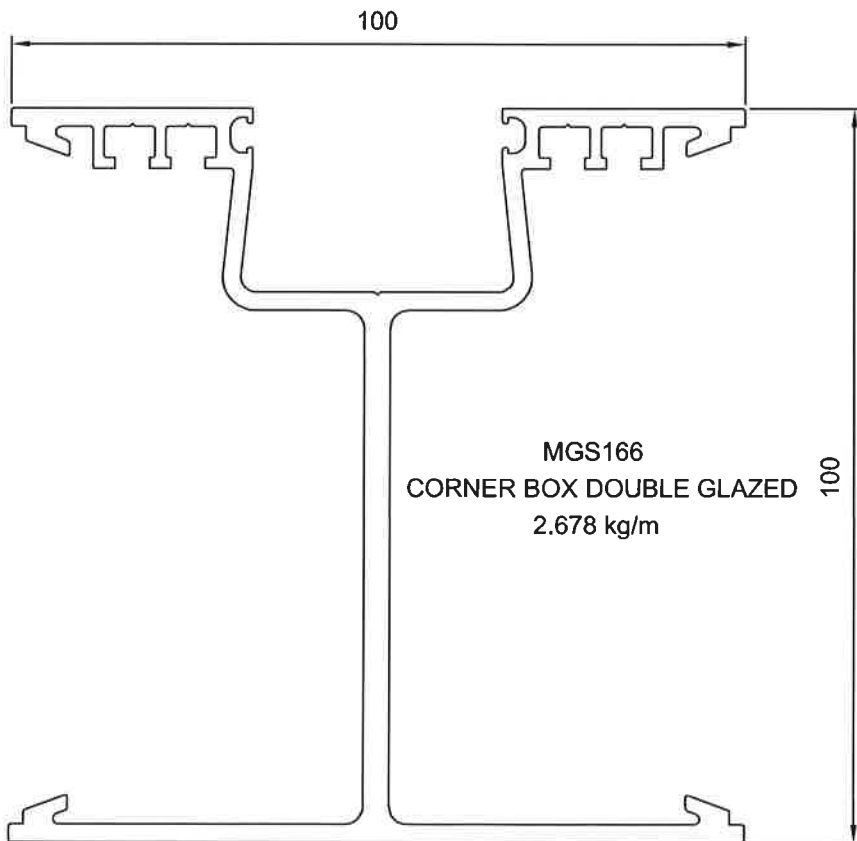
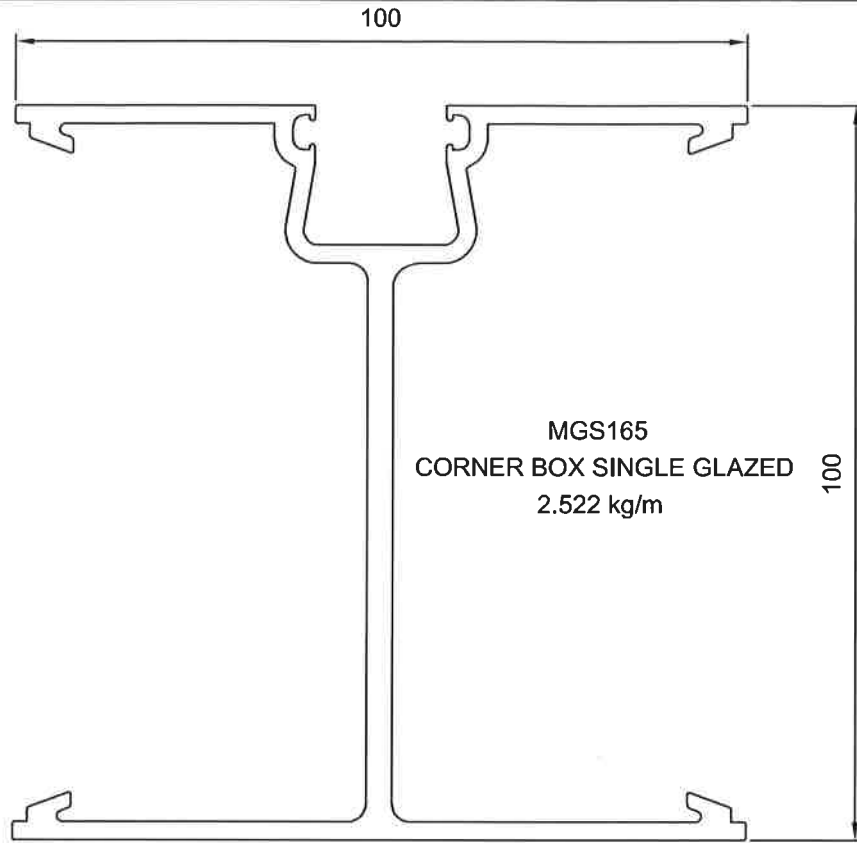
Issue 01:- February 2020.

© This drawing sheet is issued subject to the condition that it is not to be reproduced without the consent of AliMet Fabrications Limited.



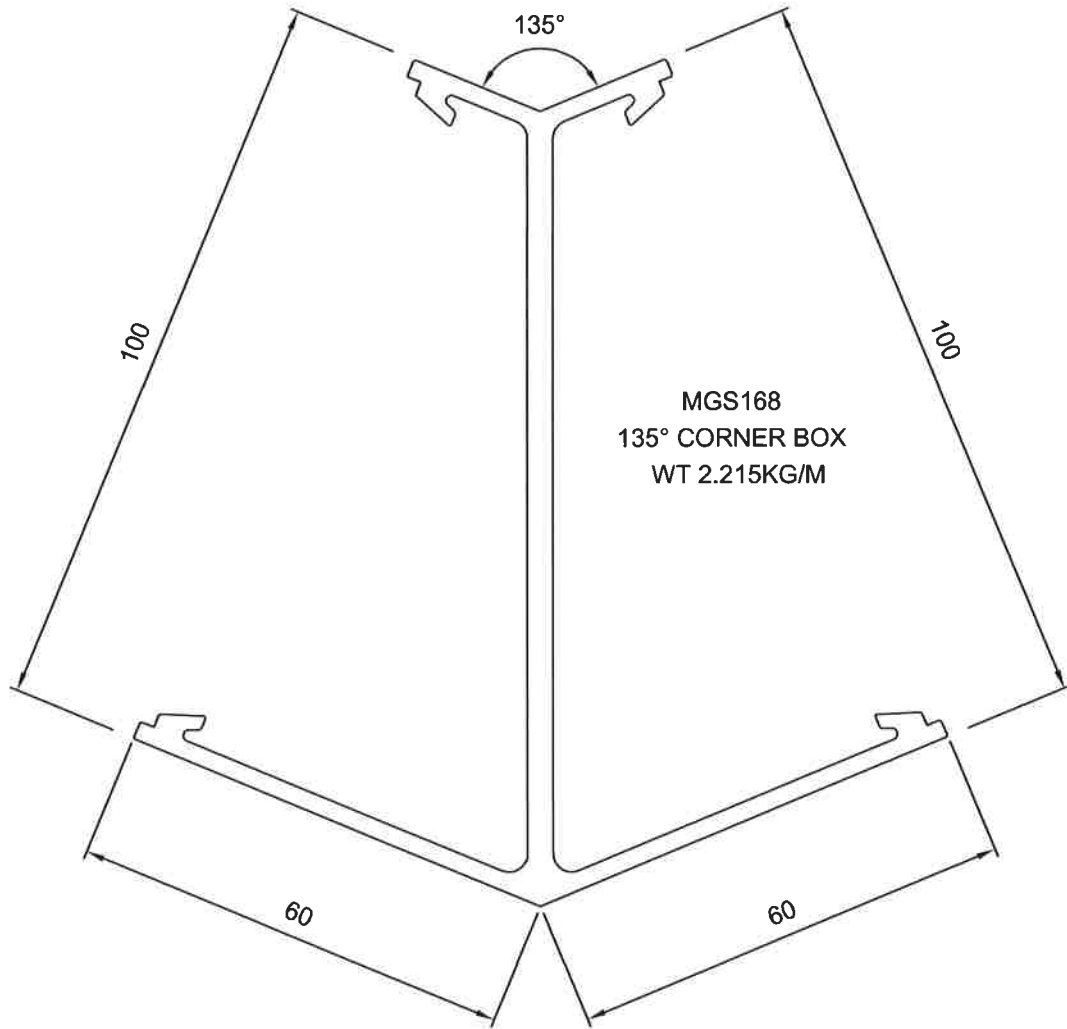
Issue 01:- February 2020.

© This drawing sheet is issued subject to the condition that it is not to be reproduced without the consent of AliMet Fabrications Limited.



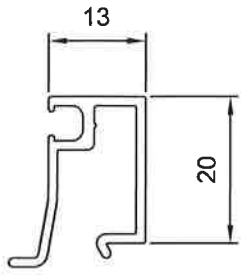
Issue 01:- February 2020.

© This drawing sheet is issued subject to the condition that it is not to be reproduced without the consent of AliMet Fabrications Limited.

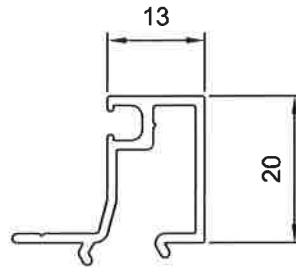


Issue 01:- February 2020.

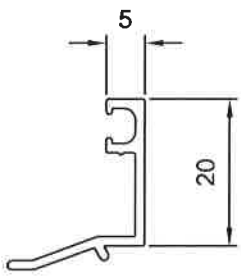
© This drawing sheet is issued subject to the condition that it is not to be reproduced without the consent of AliMet Fabrications Limited.



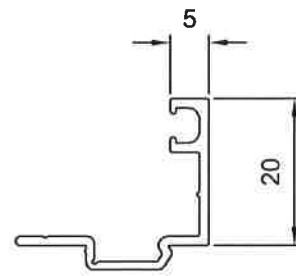
MGS174
SINGLE GLAZED BEAD
0.244 kg/m



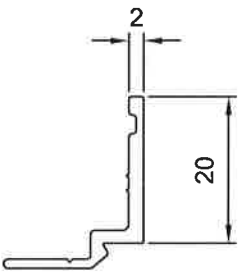
MGS175
SINGLE GLAZED SECURITY BEAD
0.271 kg/m



MGS172
DOUBLE GLAZED BEAD
0.168 kg/m



MGS173
DOUBLE GLAZED SECURITY BEAD
0.199 kg/m



MGS135
DOUBLE GLAZED BEAD
0.181 kg/m



MGS-CG10000
(CAPTIVE)
(BLACK)



MGS-CG9999
(CAPTIVE)
(BLACK)



MGS-GW3409
(WEDGE)
(BROWN)



MGS-GW6631
(WEDGE)
(RED)



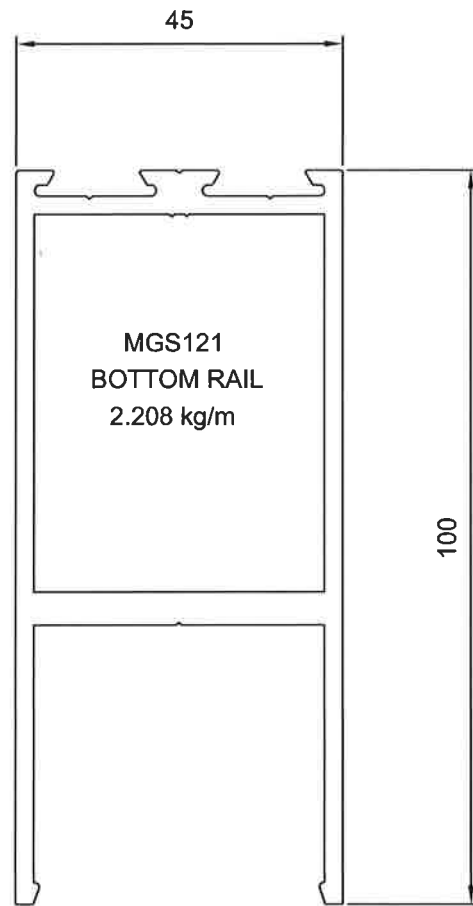
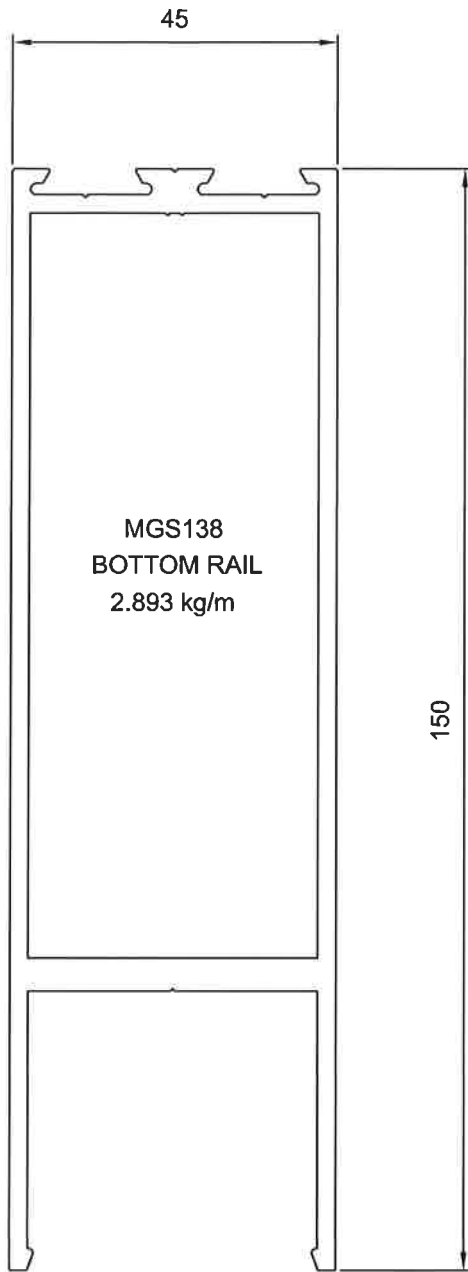
MGS-GW5536
(WEDGE)
(GREEN)



MGS-GT1202B
(GLAZING TAPE)
(BLACK)

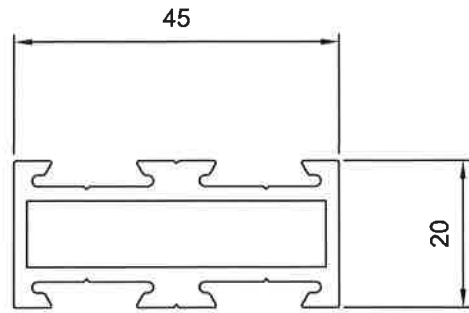
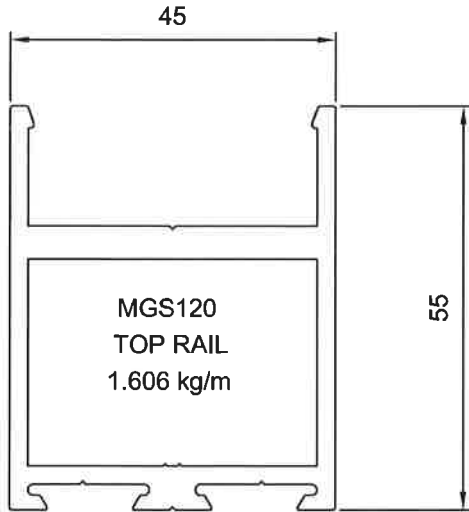
Issue 01:- February 2020.

© This drawing sheet is issued subject to the condition that it is not to be reproduced without the consent of AliMet Fabrications Limited.

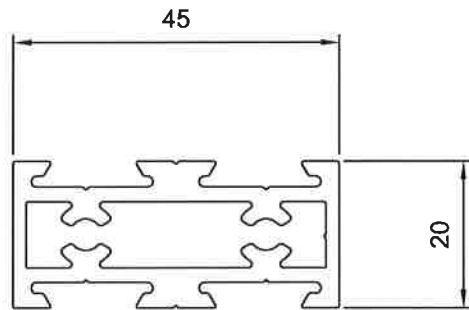
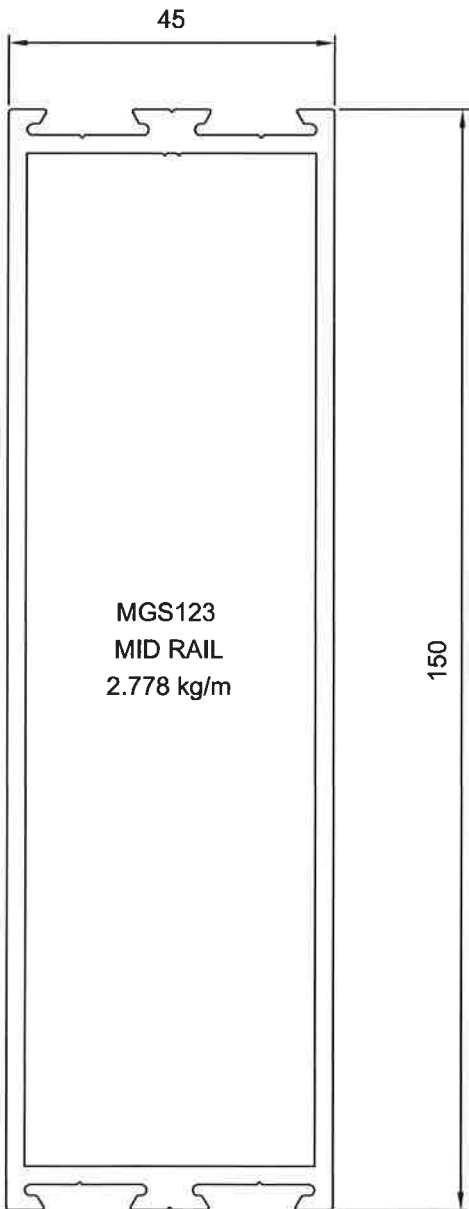


Issue 01:- February 2020.

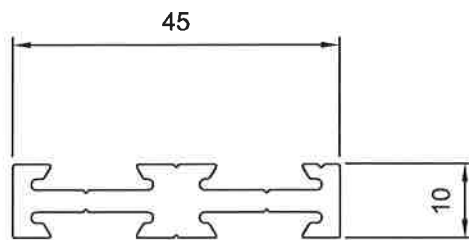
© This drawing sheet is issued subject to the condition that it is not to be reproduced without the consent of AliMet Fabrications Limited.



MGS122
TRANSOM
0.875 kg/m



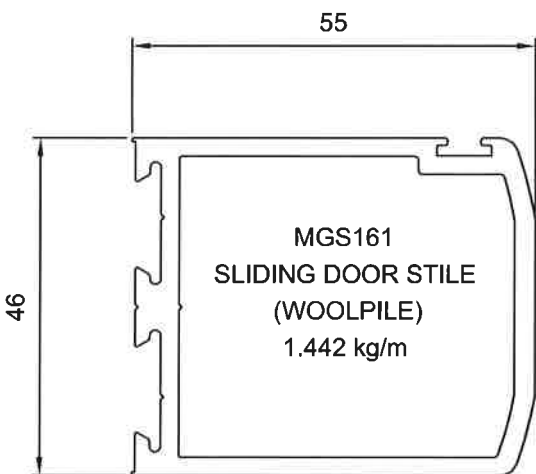
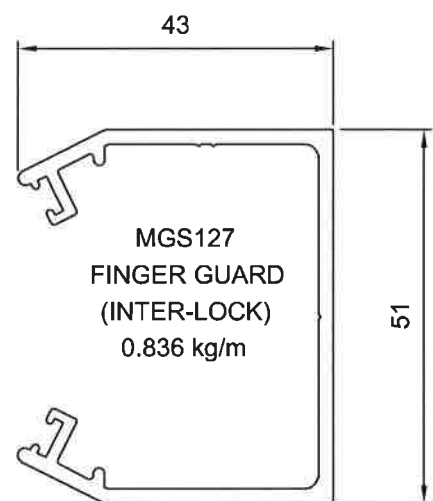
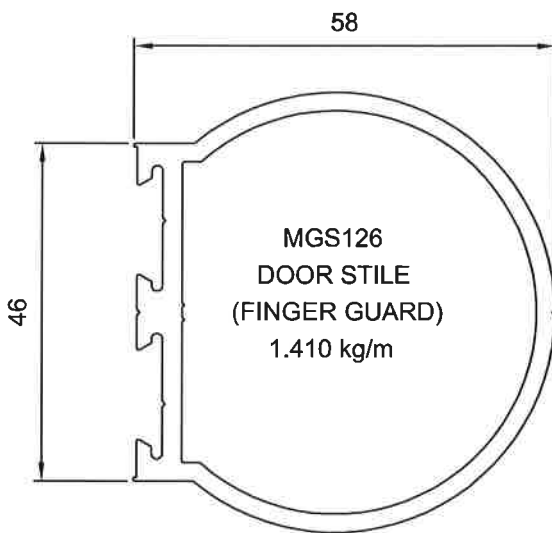
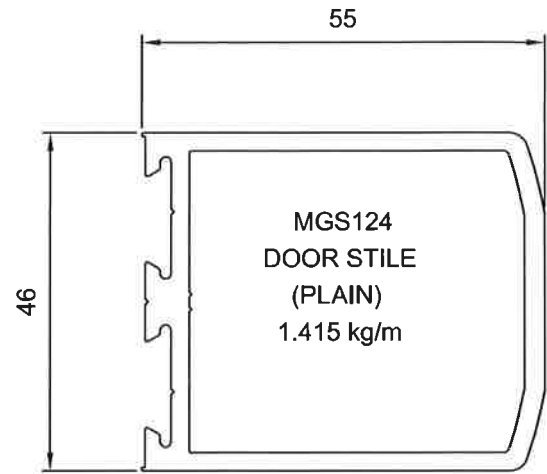
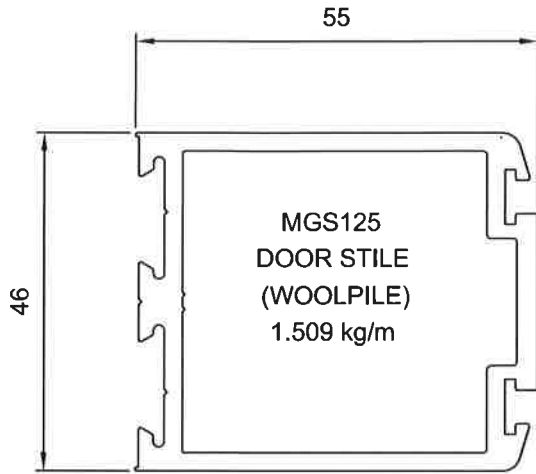
MGS169
TRANSOM (SCREW PORTS)
1.035 kg/m



MGS160
BEAD CARRIER
0.664 kg/m

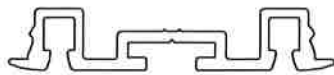
Issue 01:- February 2020.

© This drawing sheet is issued subject to the condition that it is not to be reproduced without the consent of AliMet Fabrications Limited.

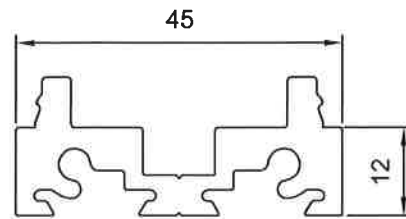


Issue 01:- February 2020.

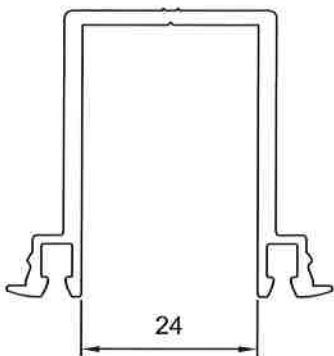
© This drawing sheet is issued subject to the condition that it is not to be reproduced without the consent of AliMet Fabrications Limited.



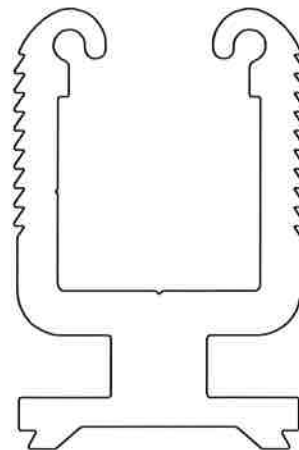
MGS128
WOOLPILE CARRIER
0.347 kg/m



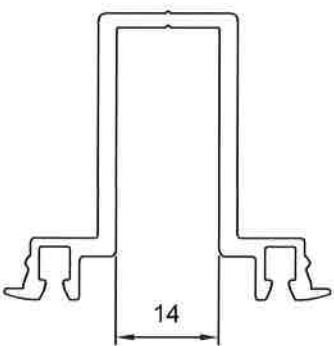
MGS137
SIDE SCREEN FLOOR TRACK/BEAD CARRIER.
0.848 kg/m



MGS129
WOOLPILE CARRIER
FLOOR GUIDE CHANNEL
0.739 kg/m



MGS180
DOOR CLEAT
2.592 kg/m



MGS170
WOOLPILE CARRIER
FLOOR GUIDE CHANNEL
0.749 kg/m



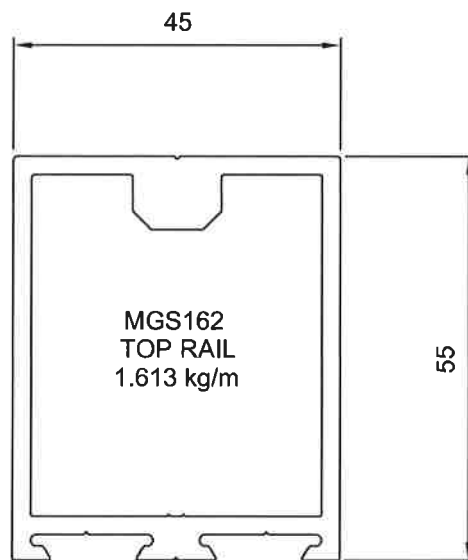
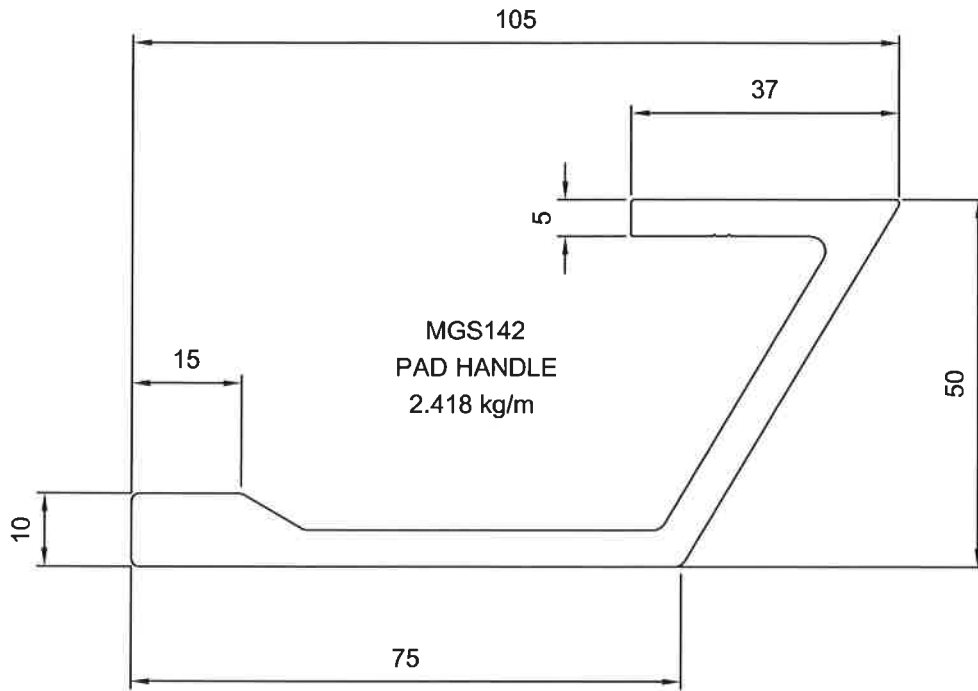
MGS-CS214
BRUSHSTRIP



MGS-CS220
BRUSHSTRIP

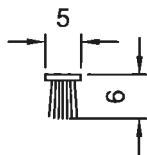
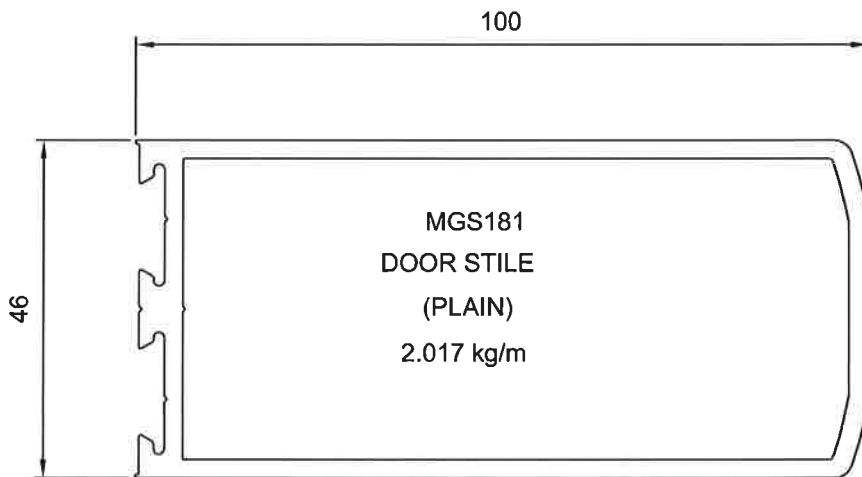
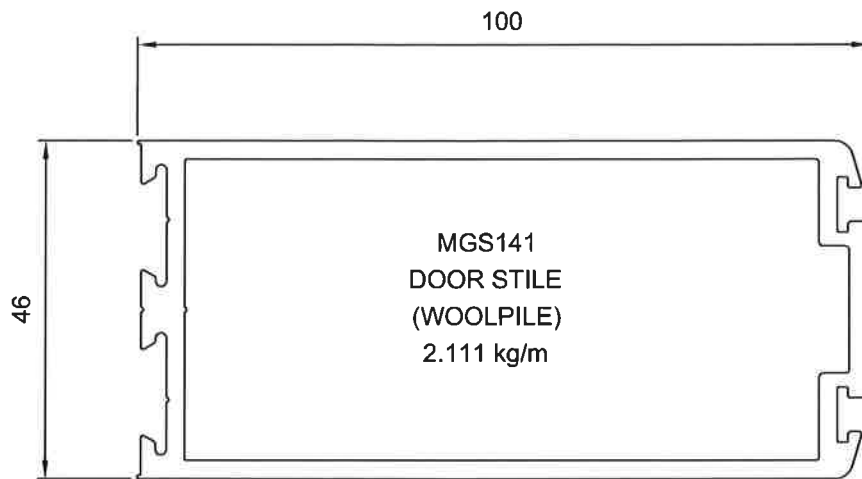
Issue 01:- February 2020.

© This drawing sheet is issued subject to the condition that it is not to be reproduced without the consent of AliMet Fabrications Limited.

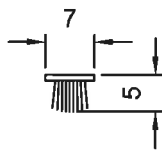


Issue 01:- February 2020.

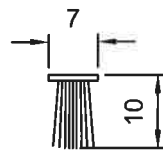
© This drawing sheet is issued subject to the condition that it is not to be reproduced without the consent of AliMet Fabrications Limited.



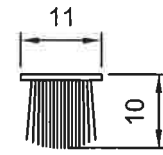
MGS-WP4860
WOOLPILE



MGS-WP6750
WOOLPILE



MGS-WP6710
WOOLPILE



MGS-WP1110
WOOLPILE

Issue 01:- February 2020.

© This drawing sheet is issued subject to the condition that it is not to be reproduced without the consent of AliMet Fabrications Limited.