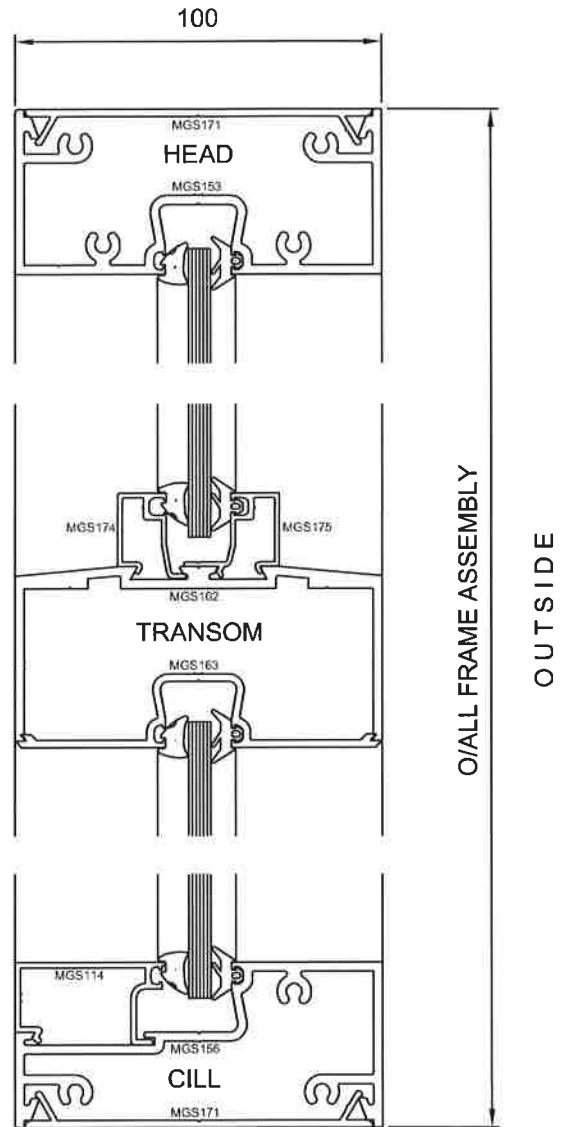
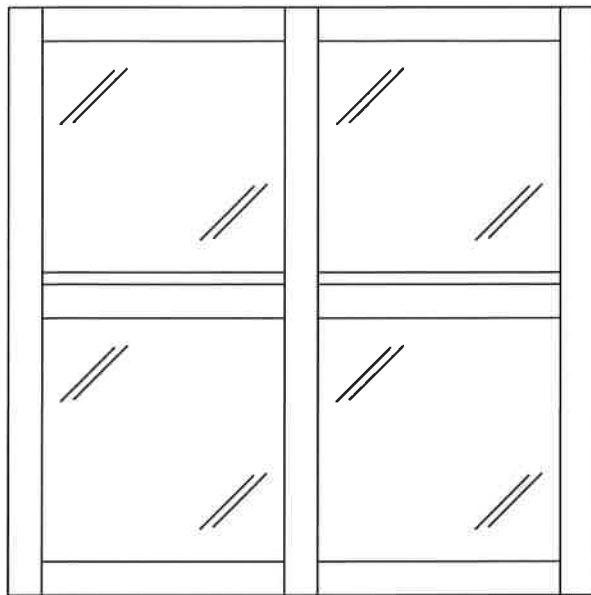


*SECTION*

# 3

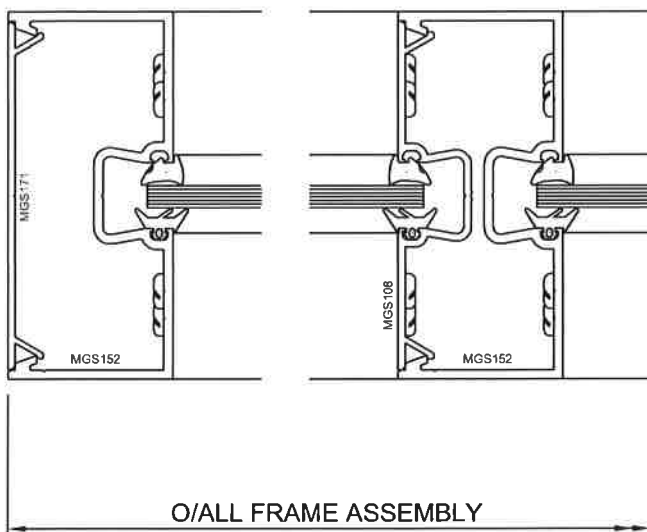
*ASSEMBLY / GLAZING OPTIONS*

SINGLE GLAZED SCREEN

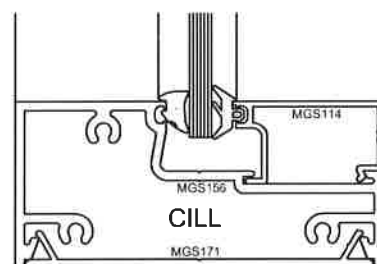


JAMB

MULLION

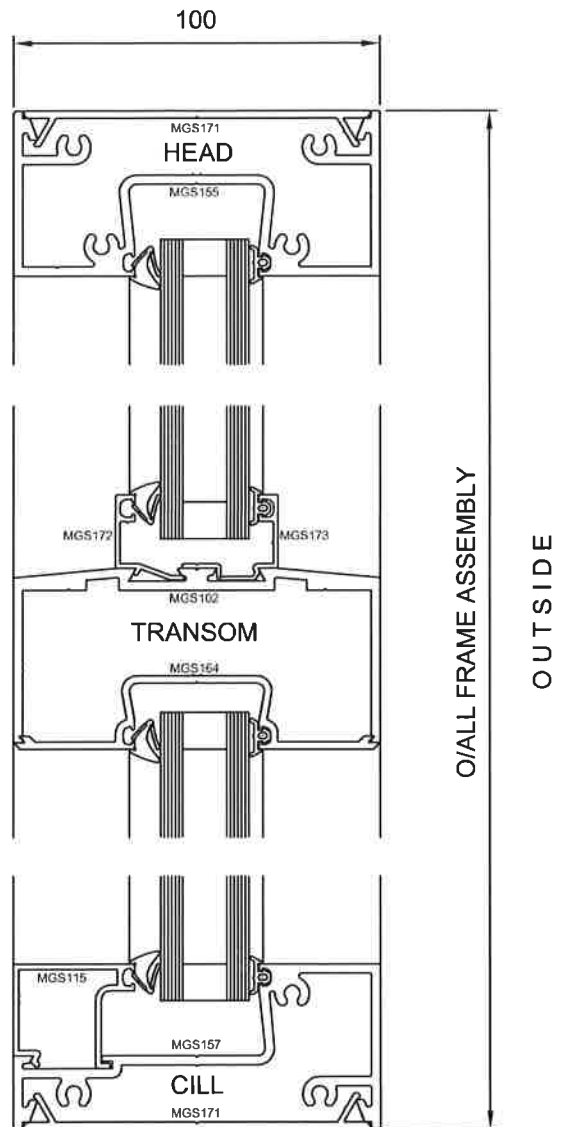
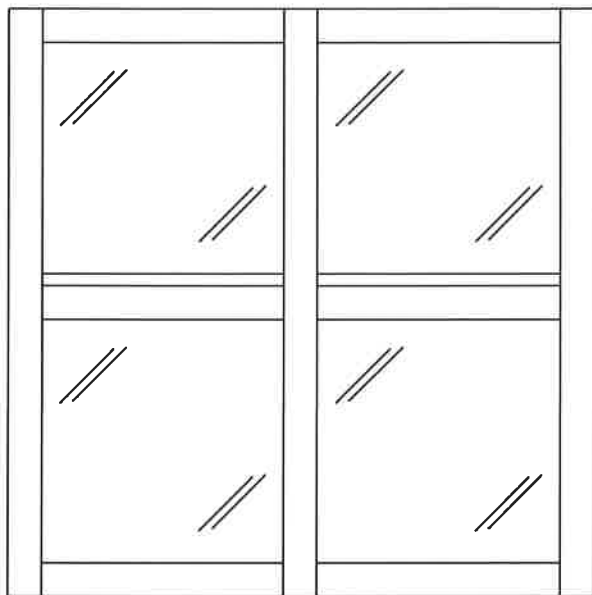


OUTSIDE



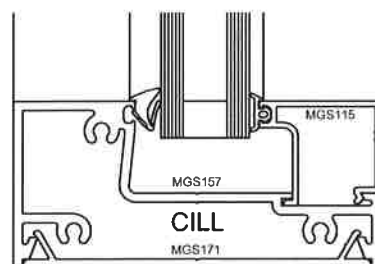
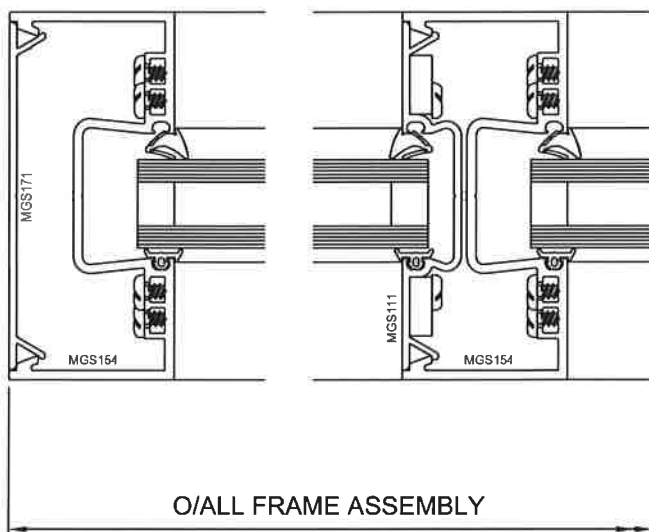
ALTERNATIVE - OUTSIDE BEADED

DOUBLE GLAZED WINDOW FRAME



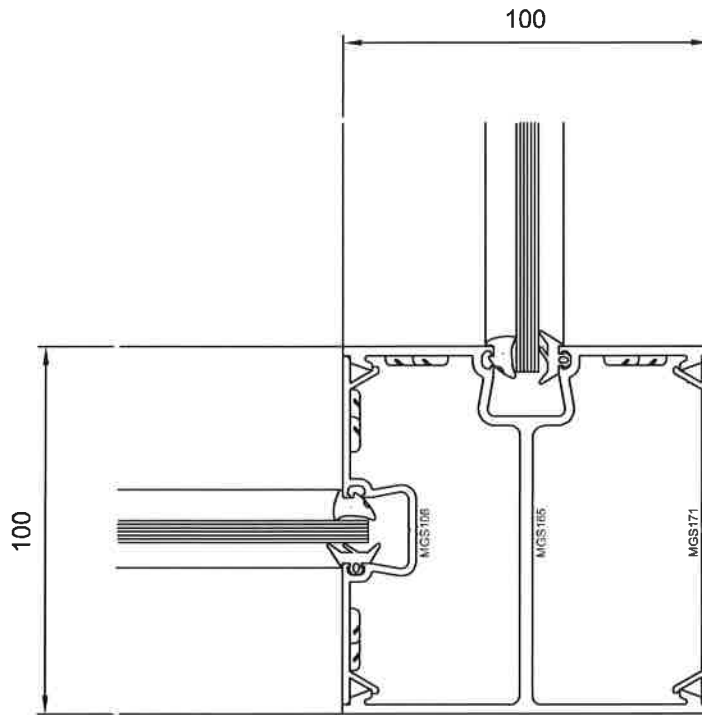
JAMB

MULLION

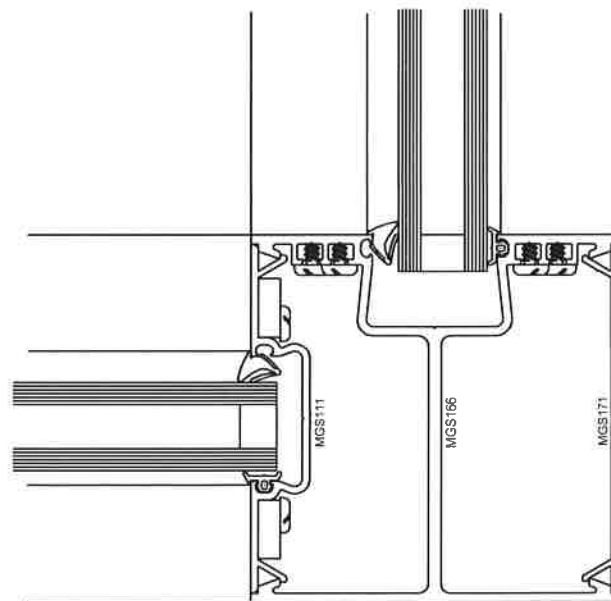


ALTERNATIVE - OUTSIDE BEADED

CORNER DETAIL

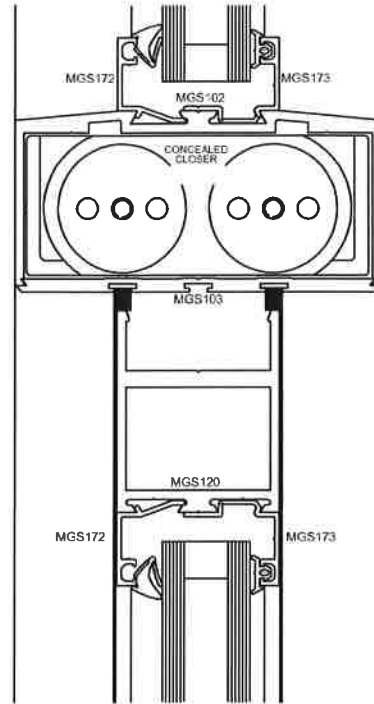
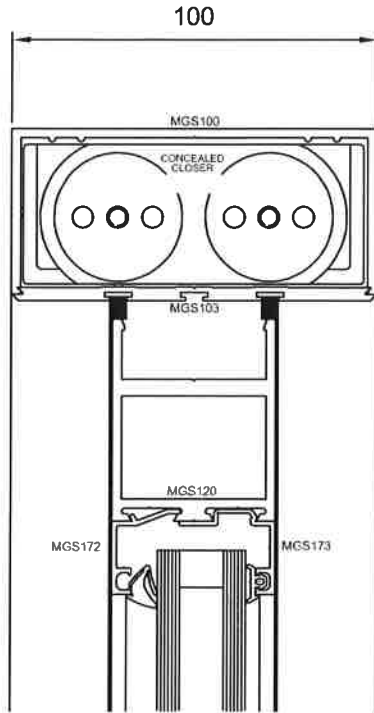


SINGLE GLAZING

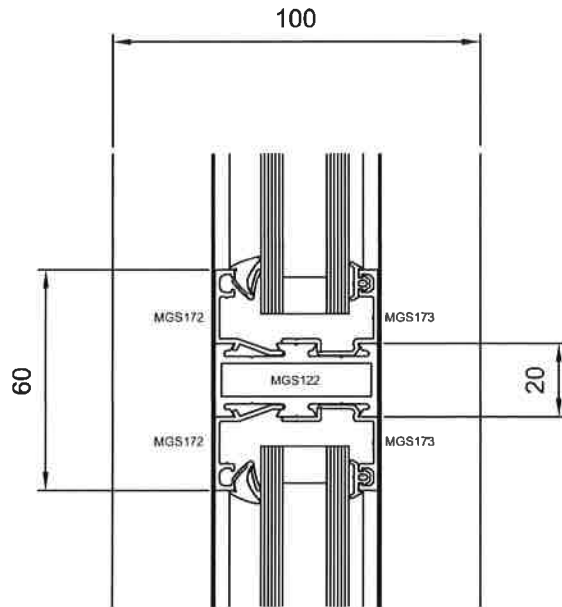
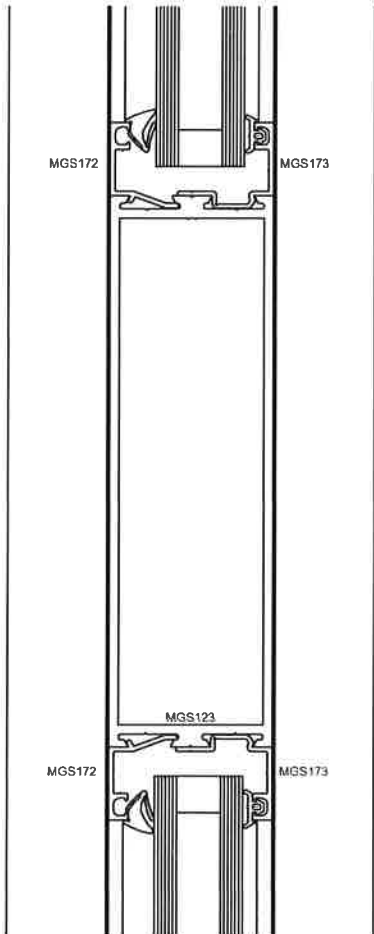


DOUBLE GLAZING

DOOR HEAD & MID RAIL

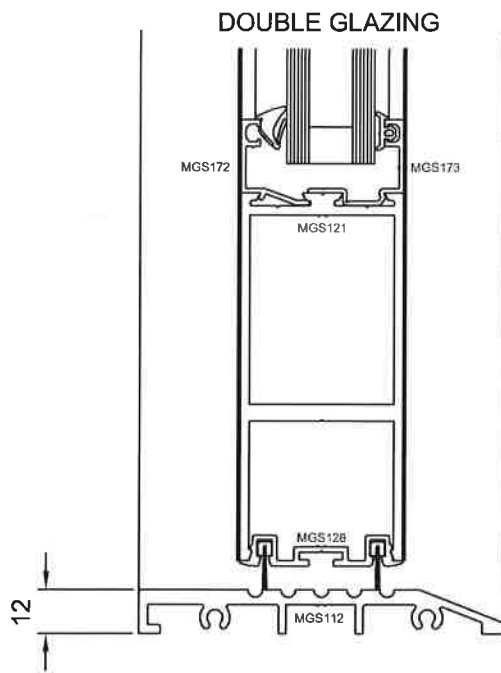


DOUBLE GLAZING

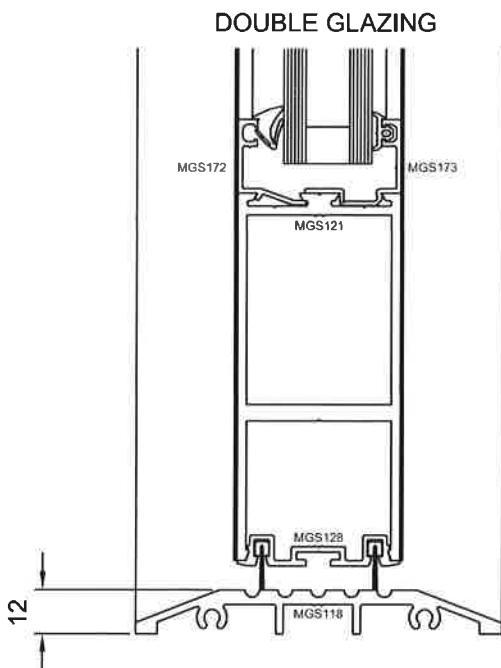


DOUBLE GLAZING

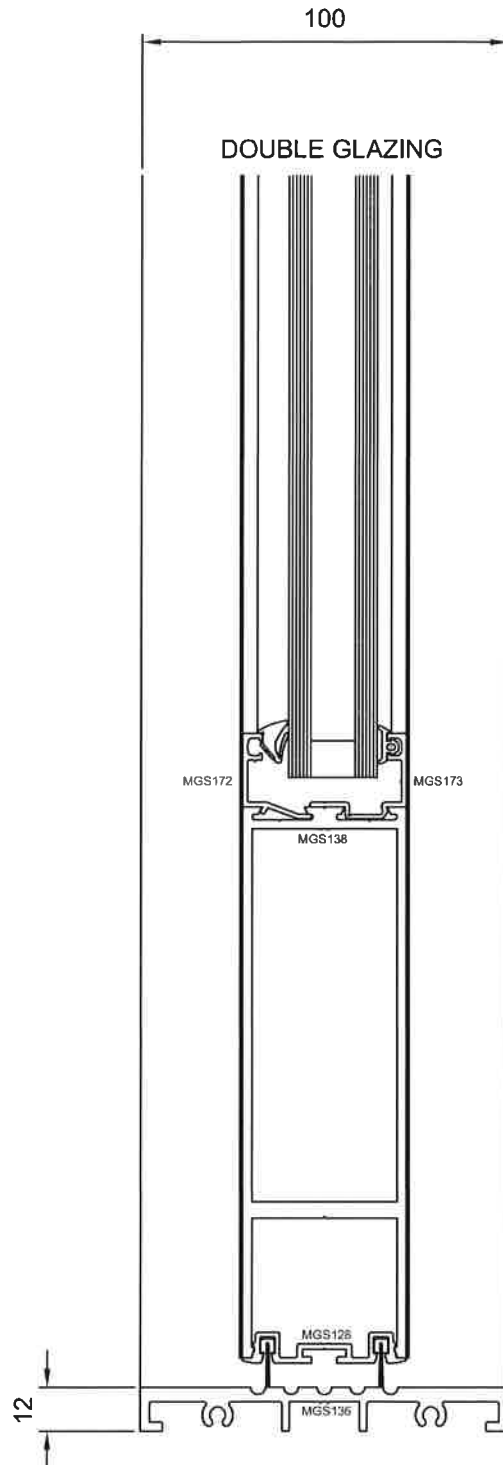
DOOR THRESHOLD



100MM BOTTOM RAIL AND SINGLE RAMP THRESHOLD.

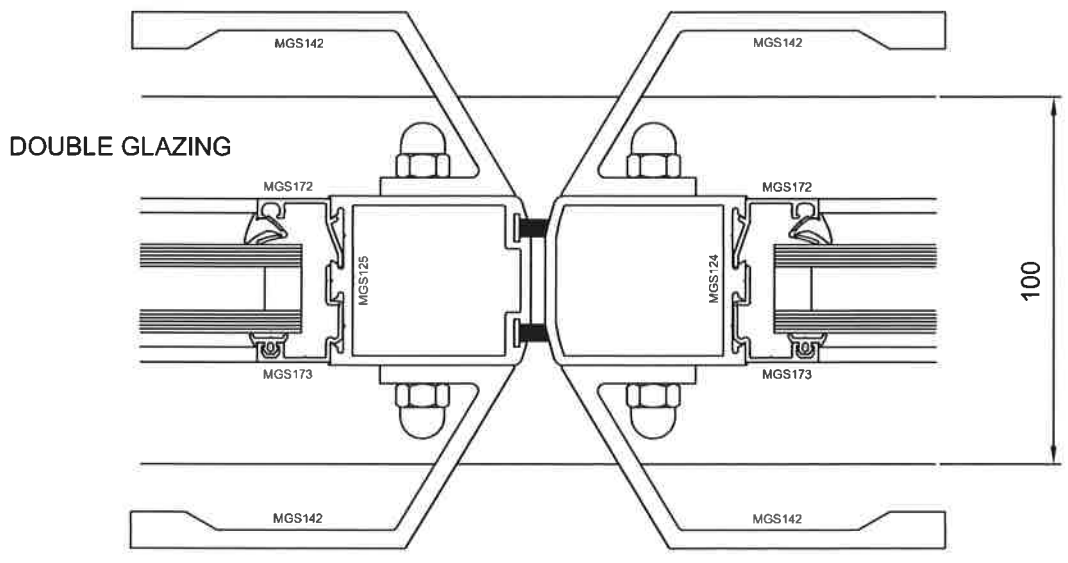
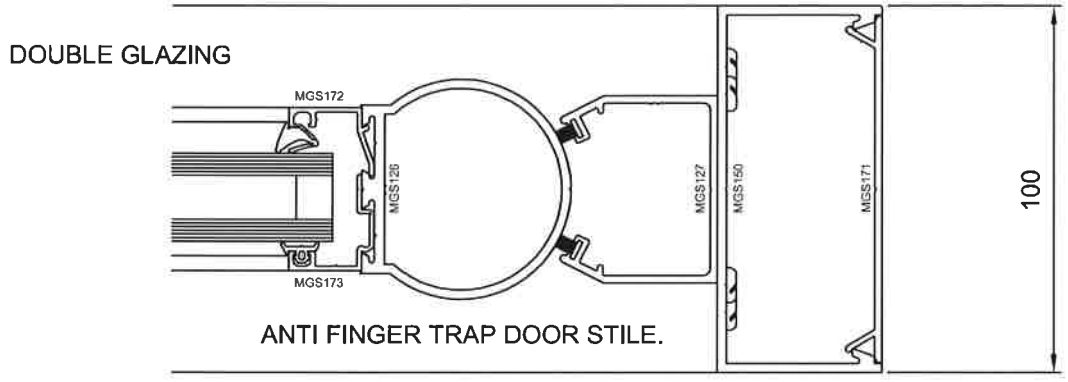
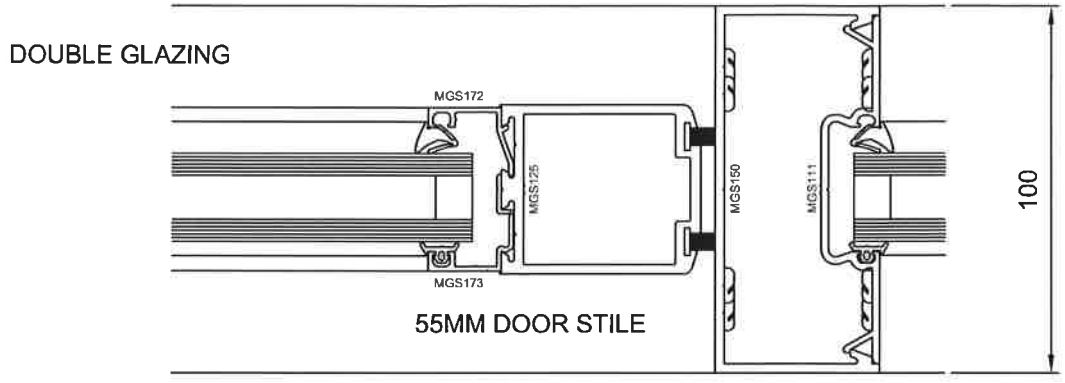


100MM BOTTOM RAIL AND DOUBLE RAMP THRESHOLD.

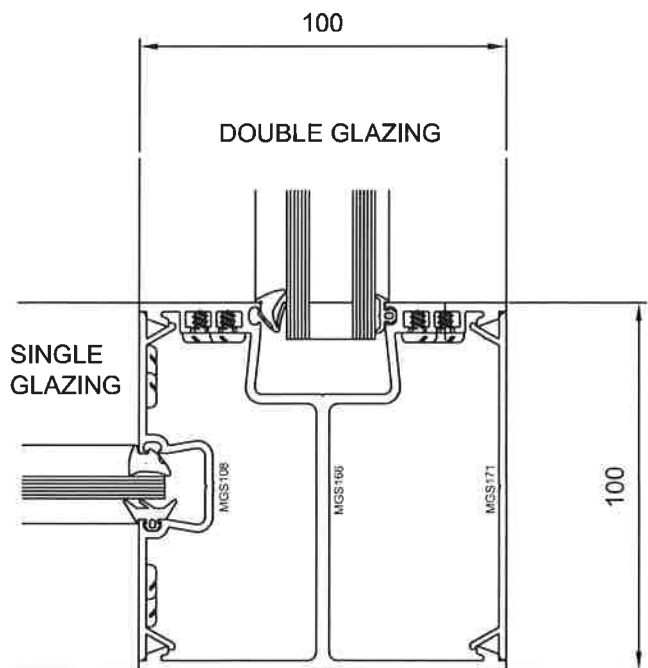
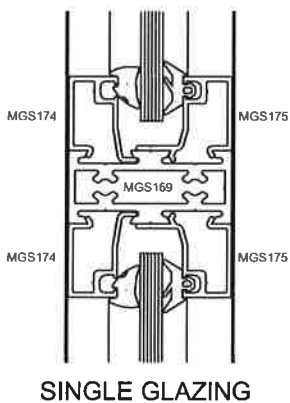
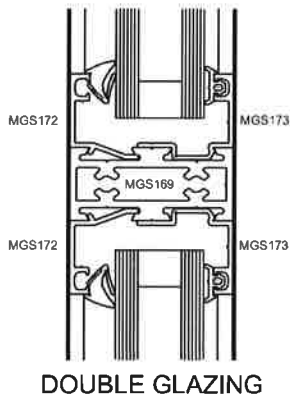
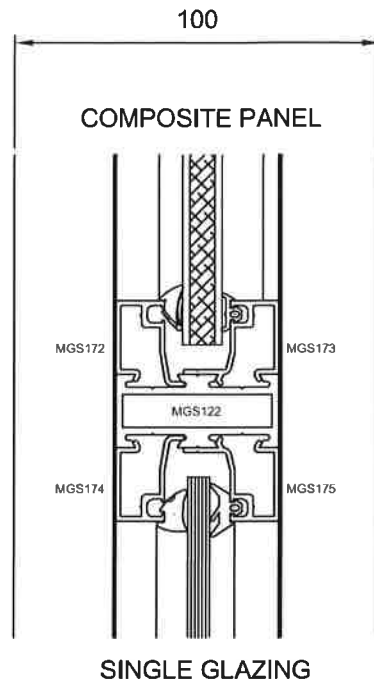
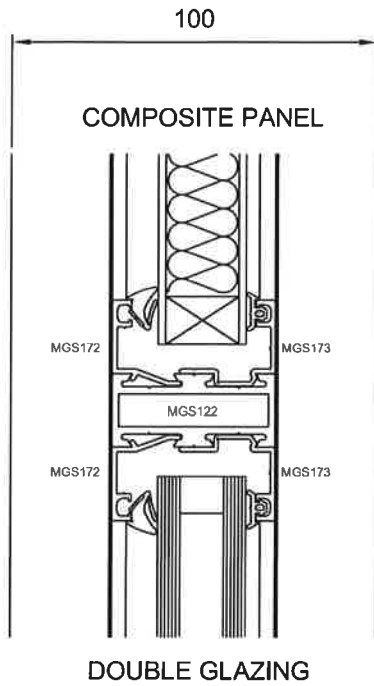


150MM BOTTOM RAIL AND SQUARE BACK THRESHOLD.

DOOR STILES



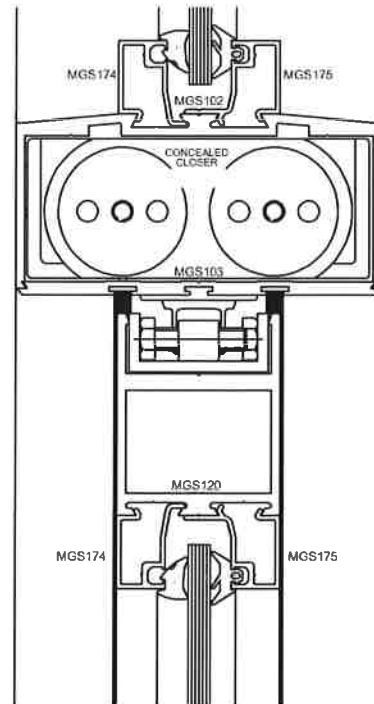
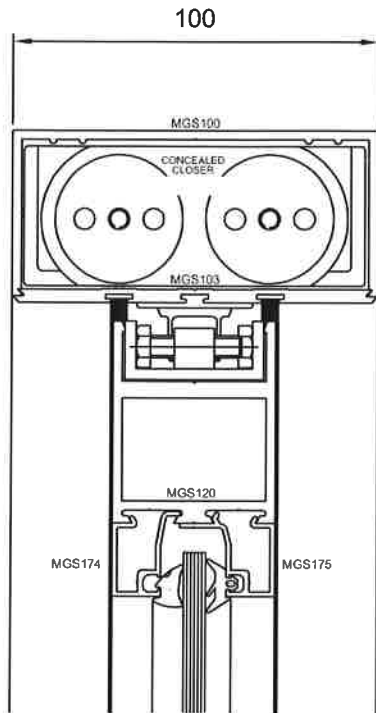
**GLAZING BARS & MIXED GLAZING CORNER**



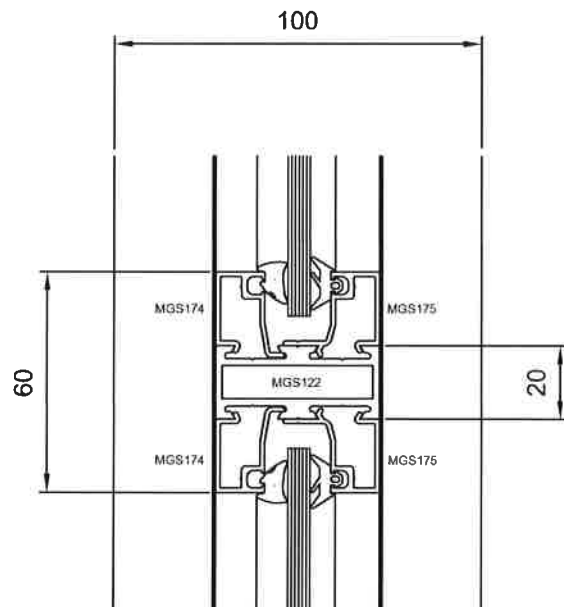
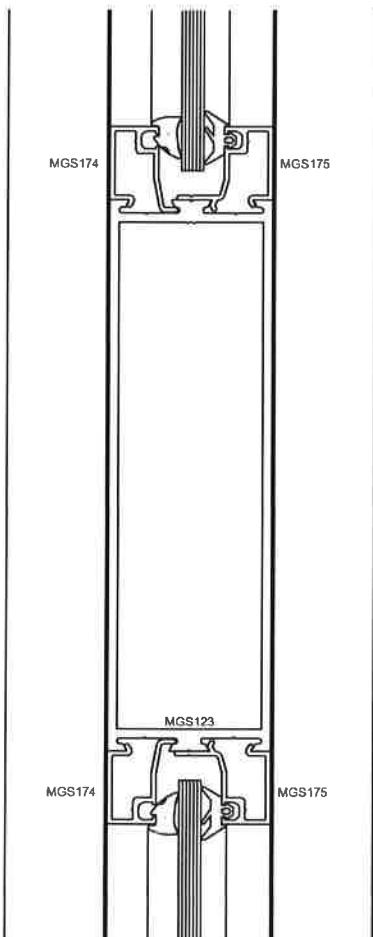
**MIXED CORNER DETAIL**



DOOR HEAD & MID RAIL



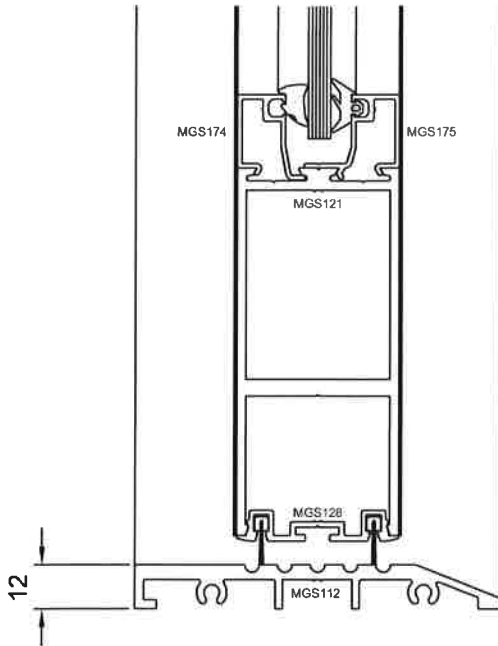
SINGLE GLAZING



SINGLE GLAZING

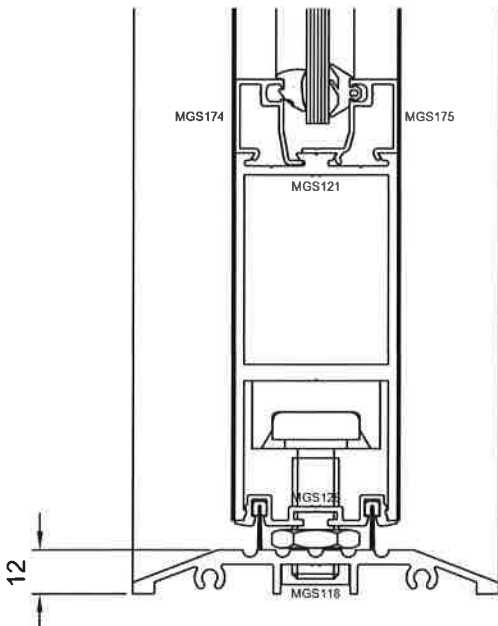
DOOR THRESHOLD

SINGLE GLAZING



100MM BOTTOM RAIL AND SINGLE RAMP THRESHOLD.

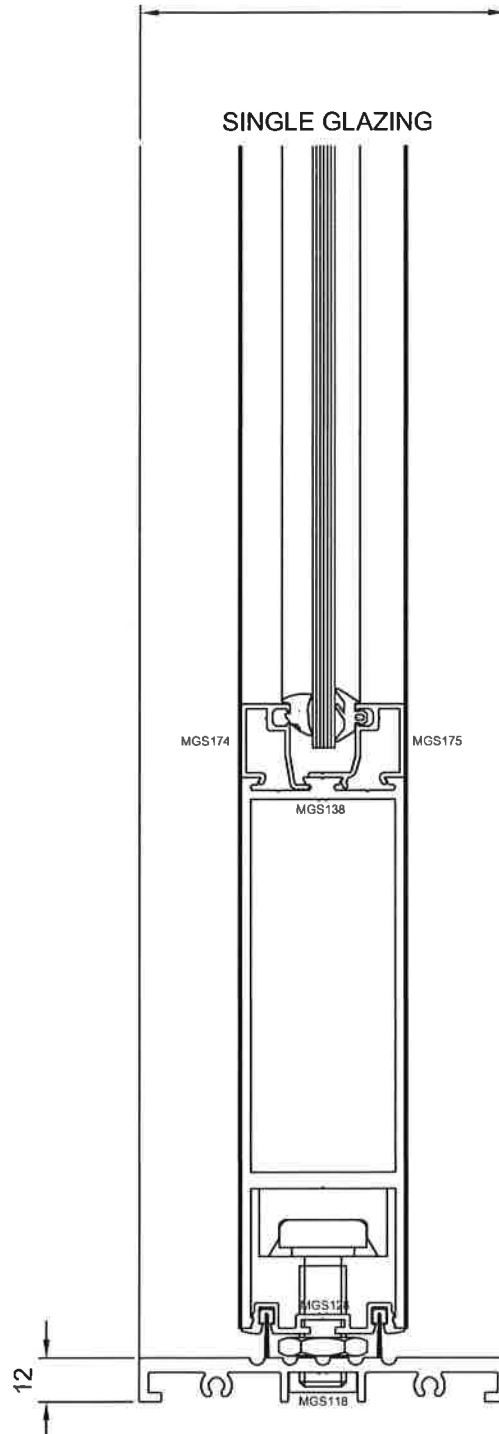
SINGLE GLAZING



100MM BOTTOM RAIL AND DOUBLE RAMP THRESHOLD.

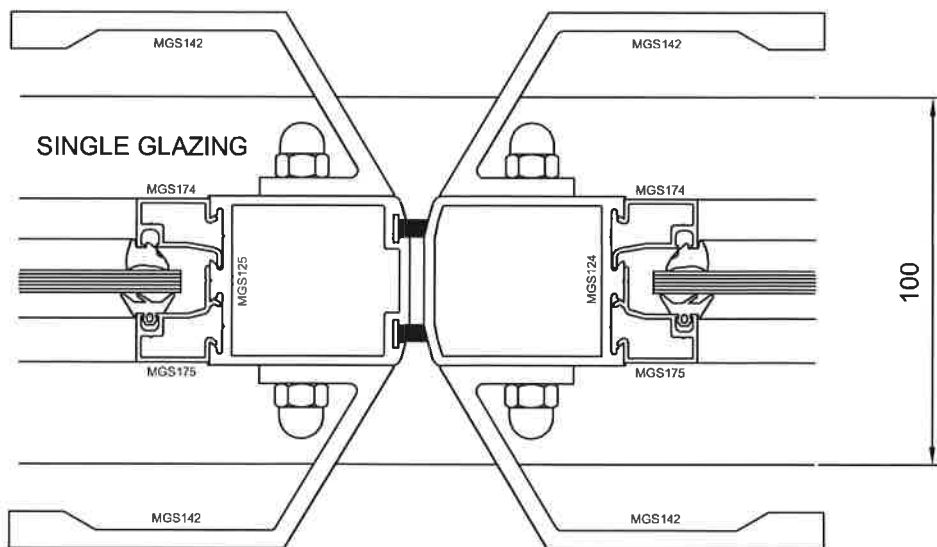
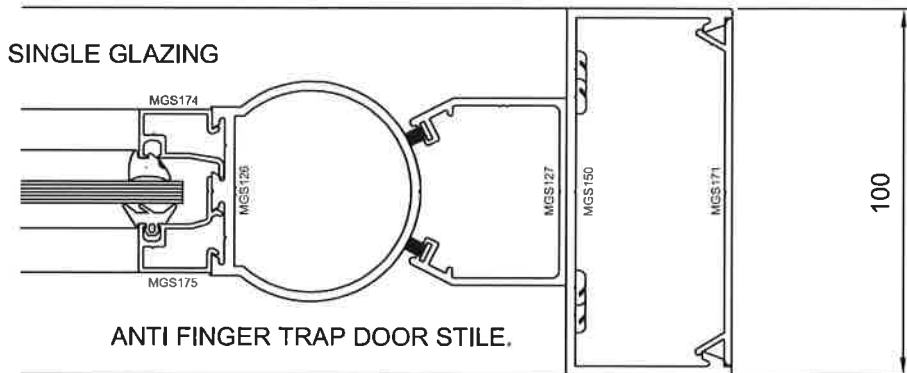
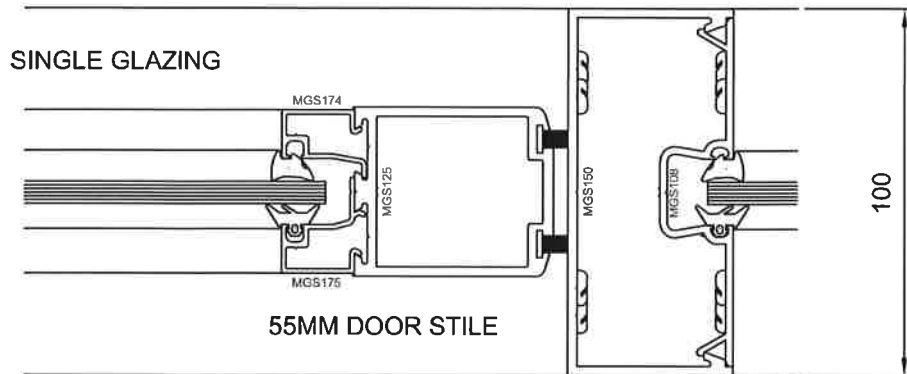
100

SINGLE GLAZING

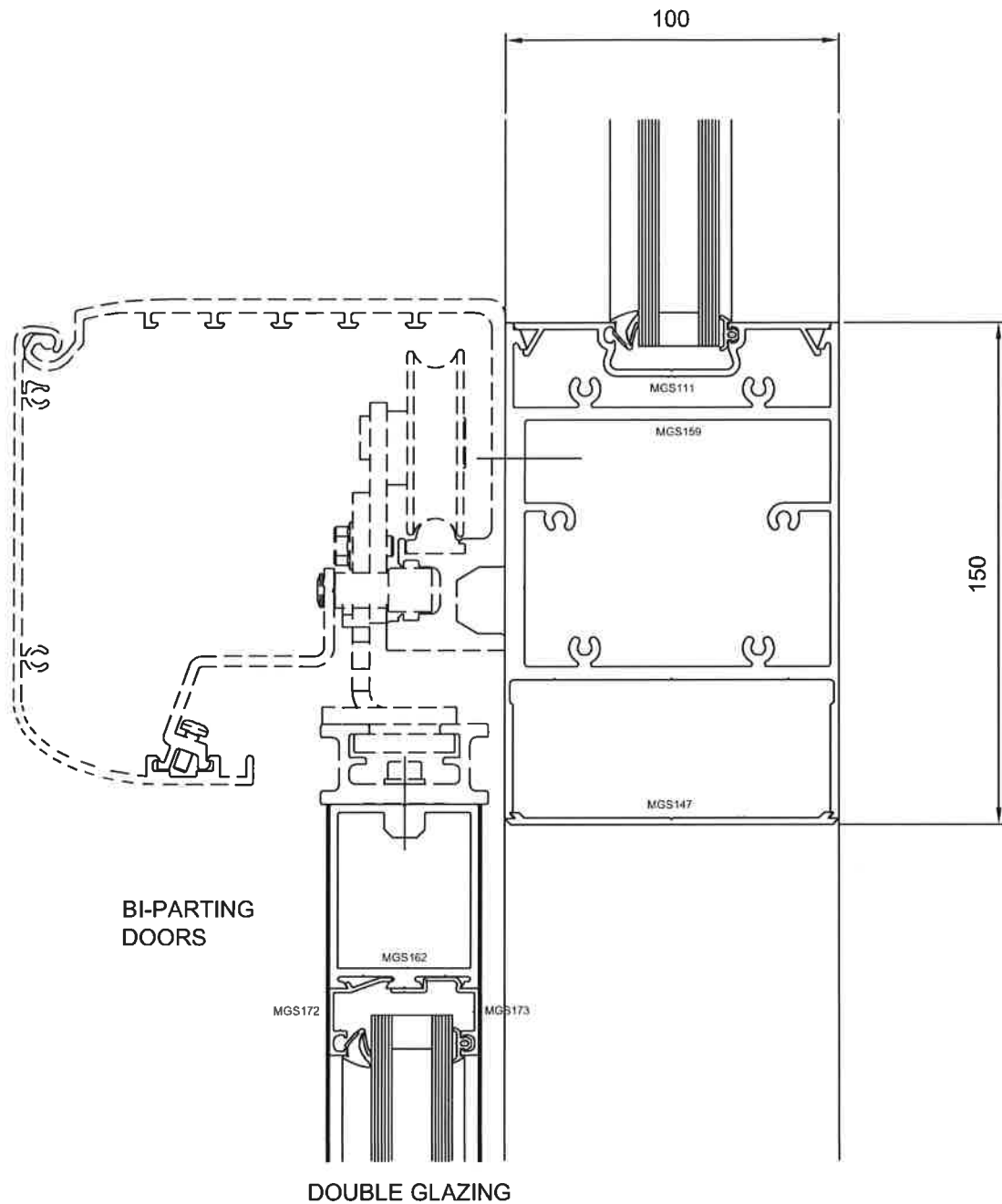


150MM BOTTOM RAIL AND SQUARE BACK THRESHOLD.

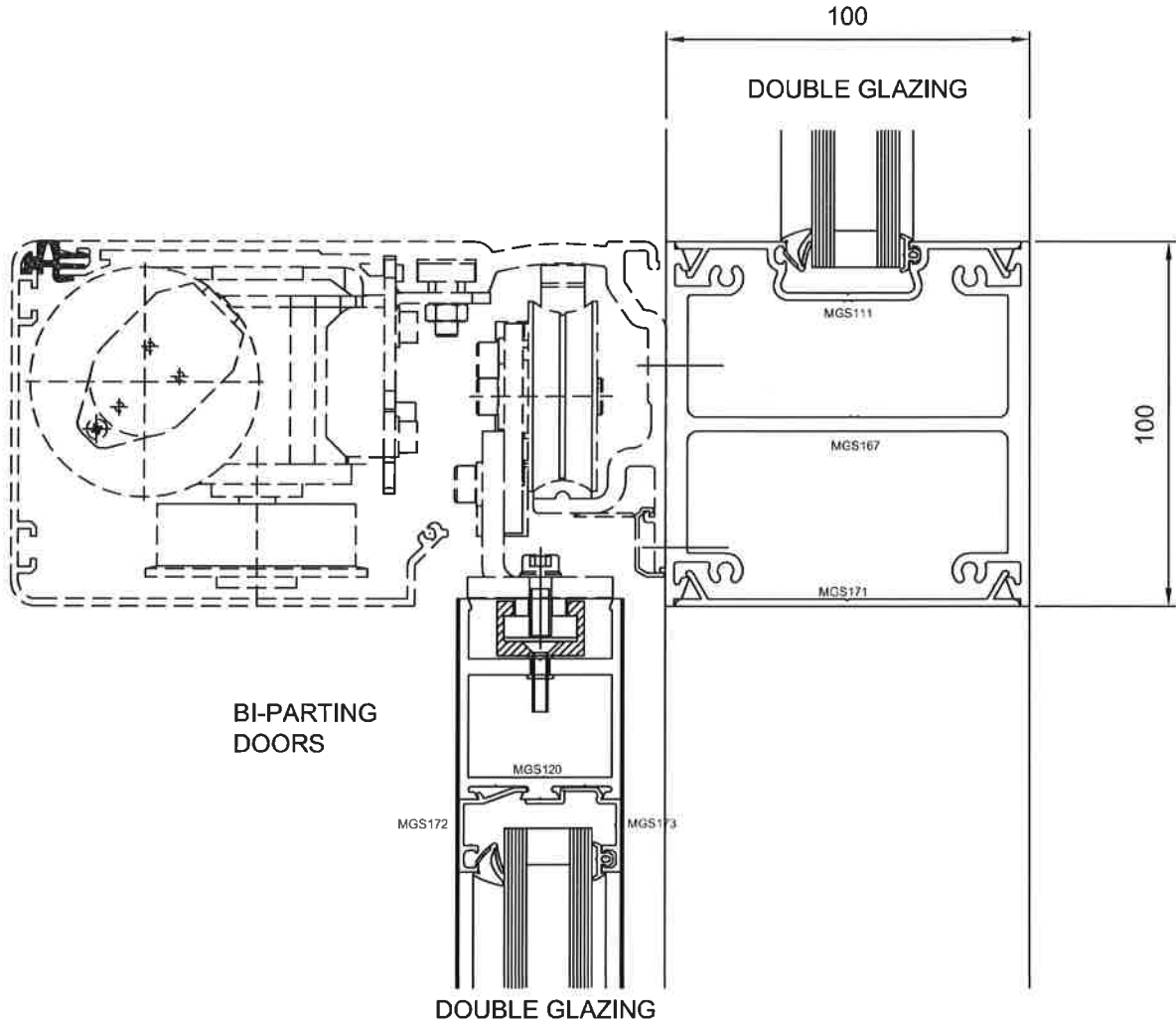
DOOR STILES



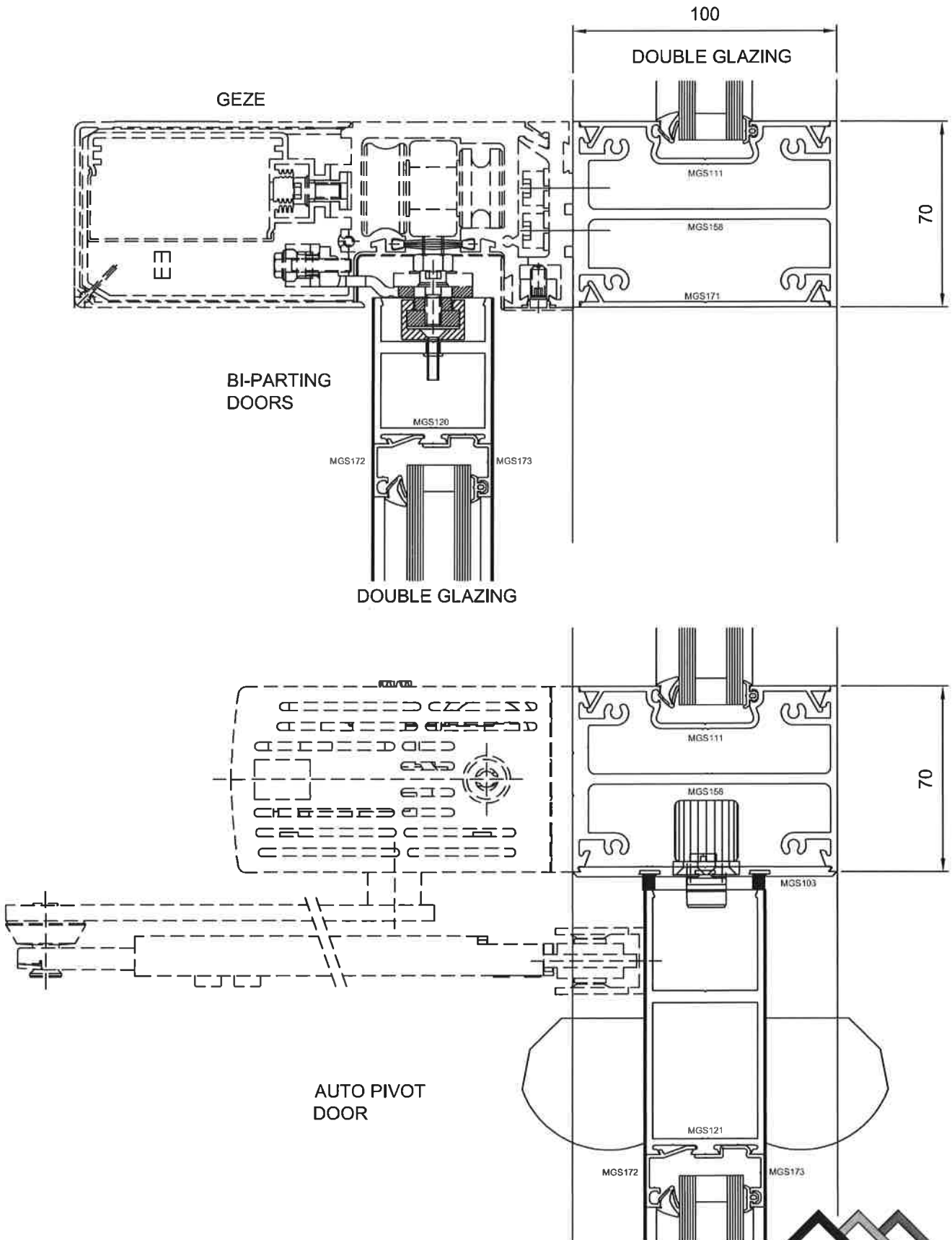
150MM TRANSOM/AUTO BEAM



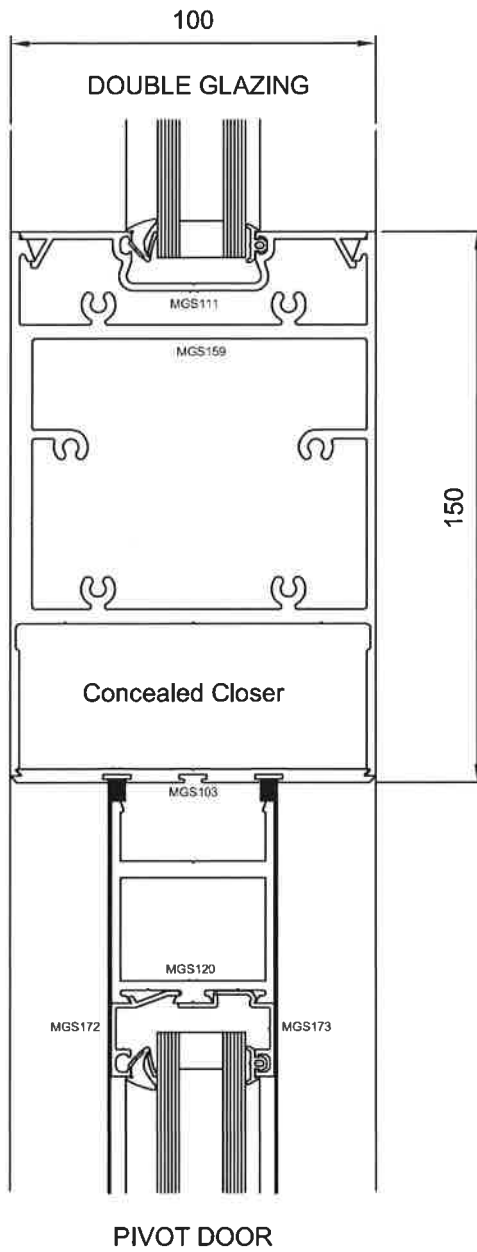
100MM TRANSOM/AUTO BEAM



70MM TRANSOM/AUTO BEAM

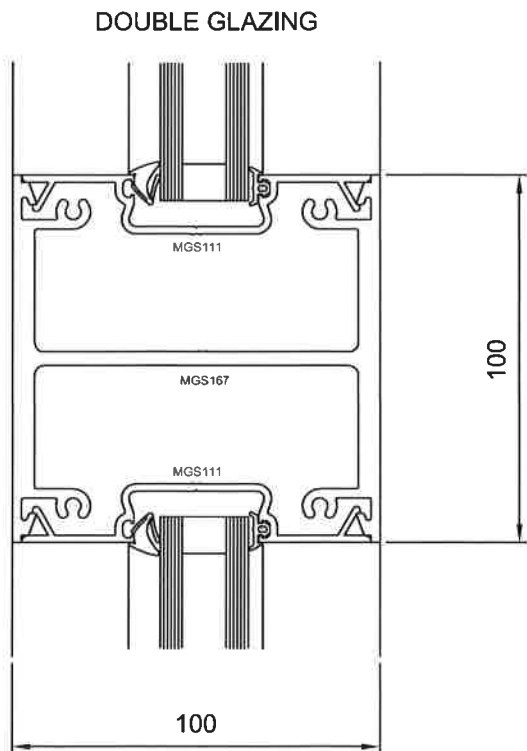
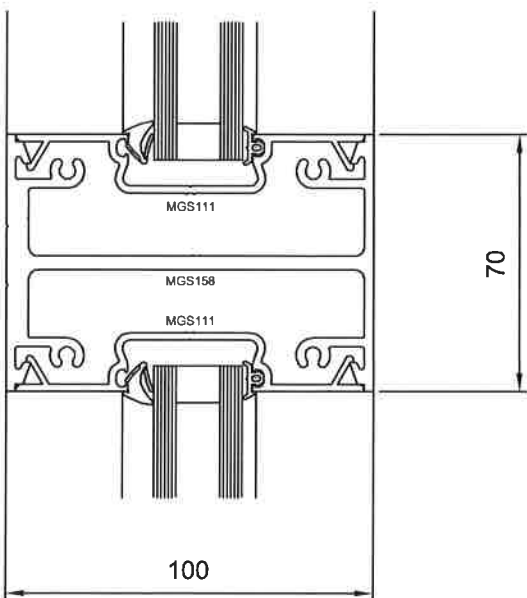
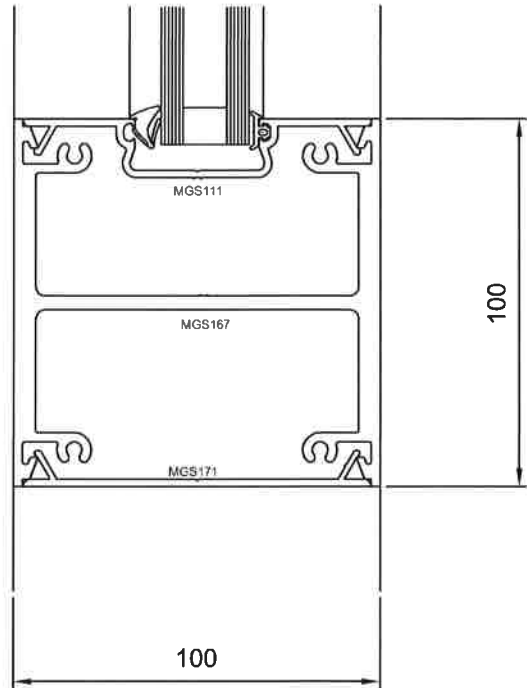
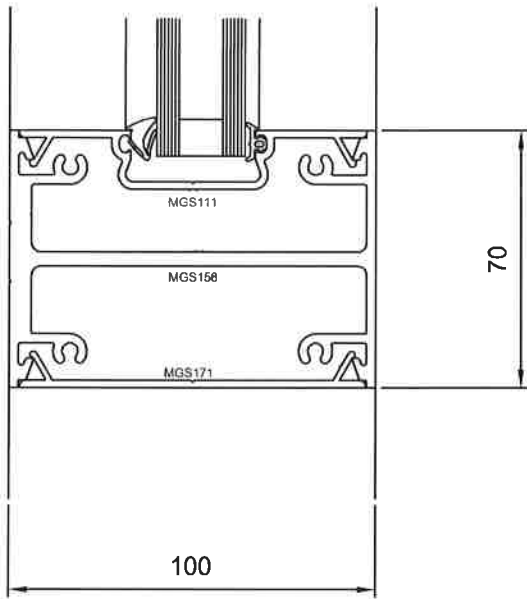


TRANSOM/AUTO BEAM OPTIONS



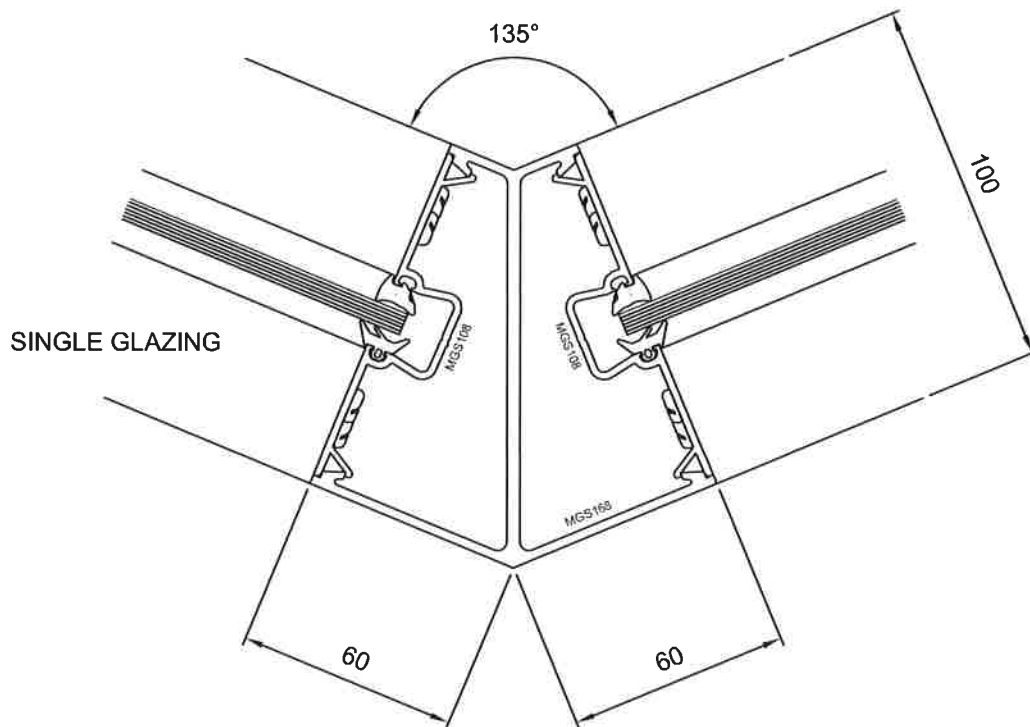
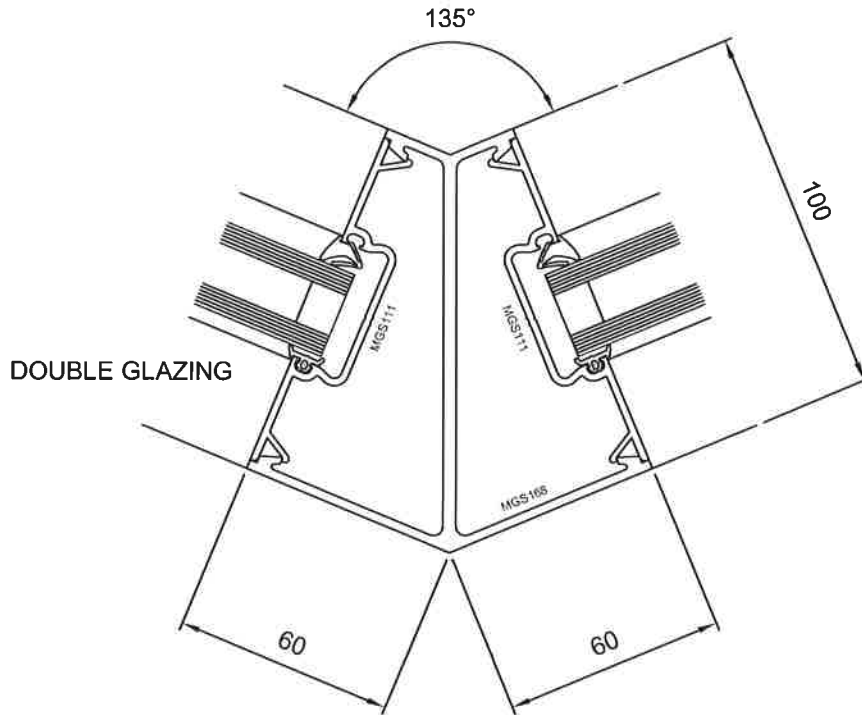
ALTERNATIVE TRANSOM/AUTO BEAM

DOUBLE GLAZING

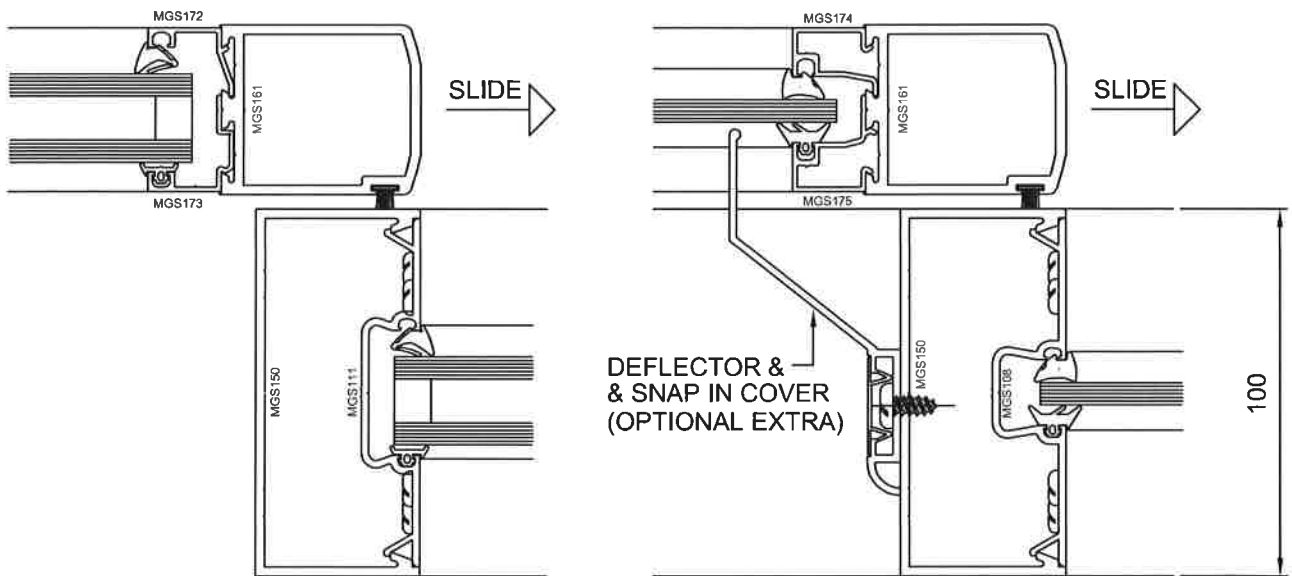
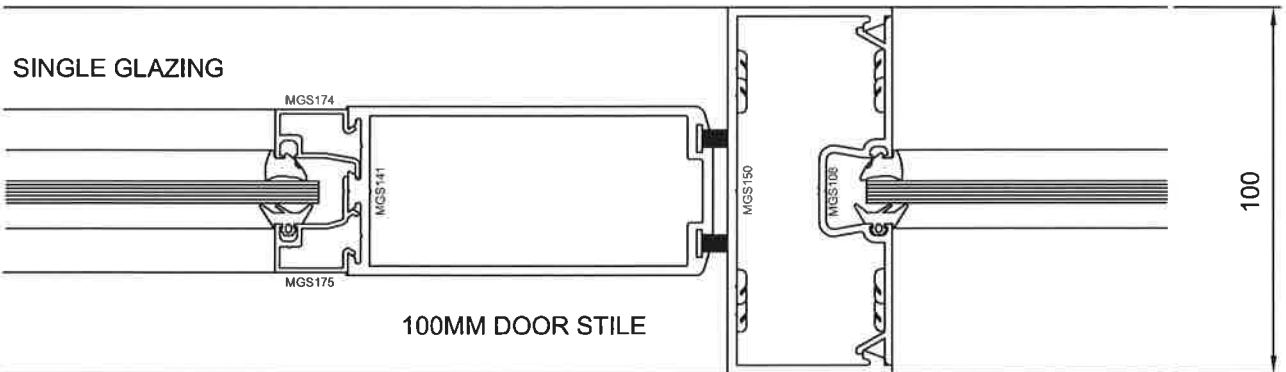
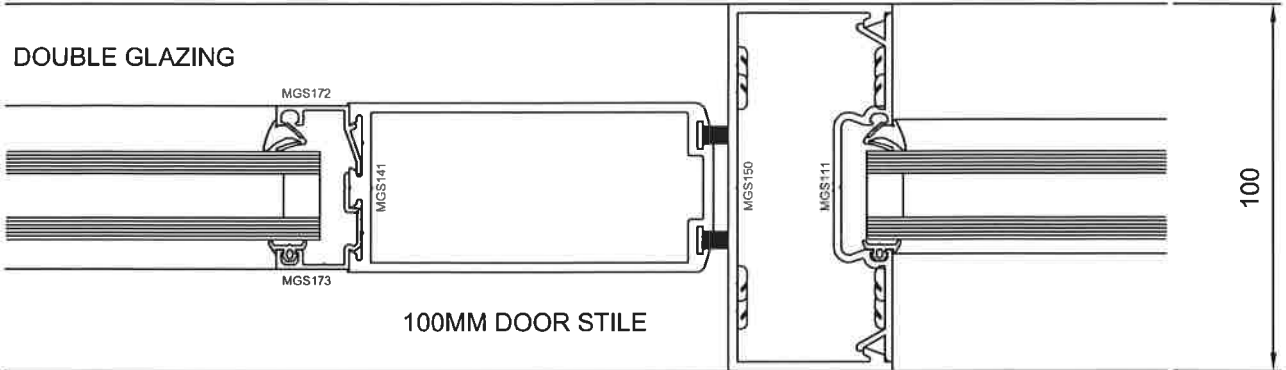




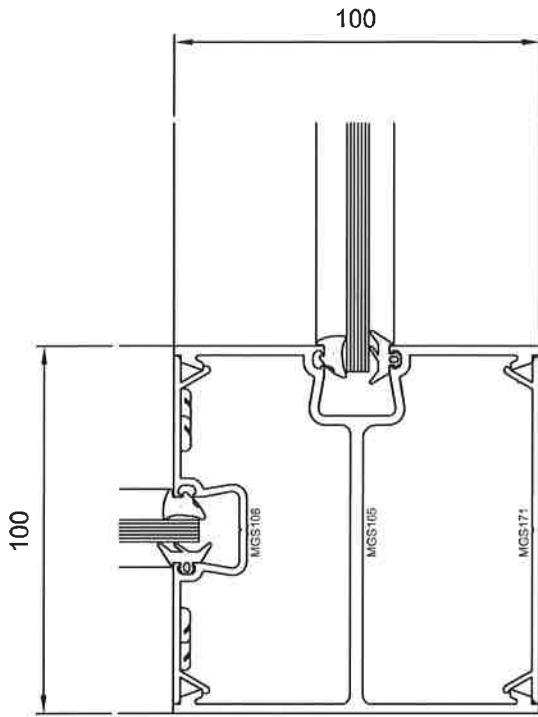
135° CORNER BOX



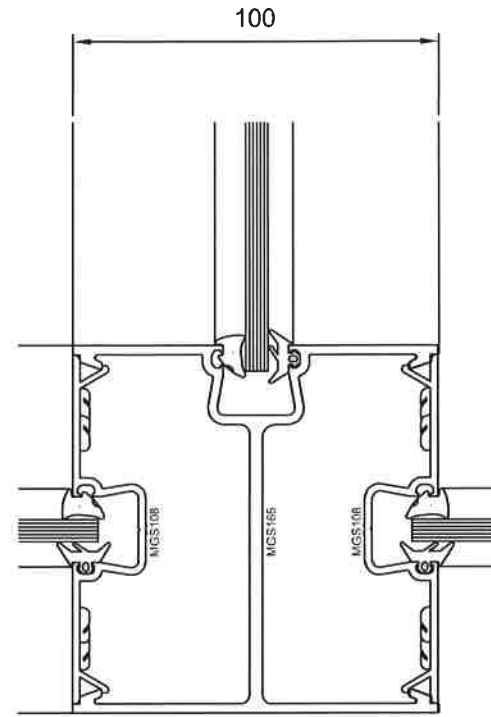
ALTERNATIVE DOOR STILES



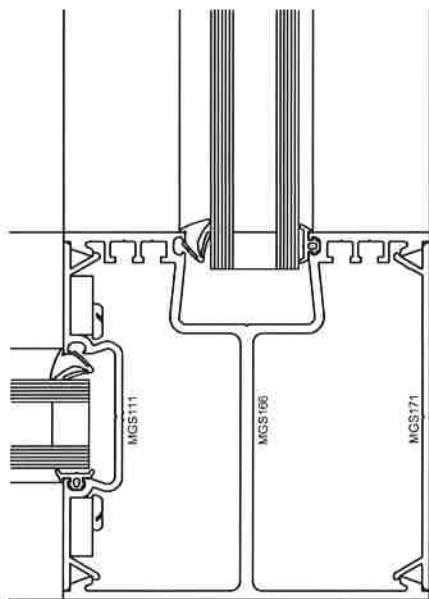
ALTERNATIVE CORNER DETAILS



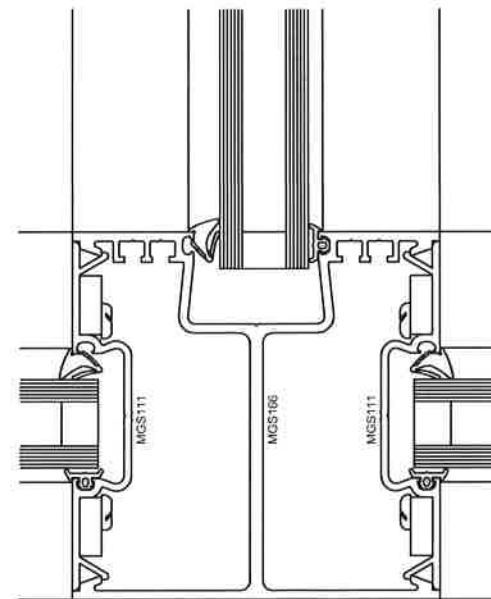
SINGLE GLAZING



SINGLE GLAZING

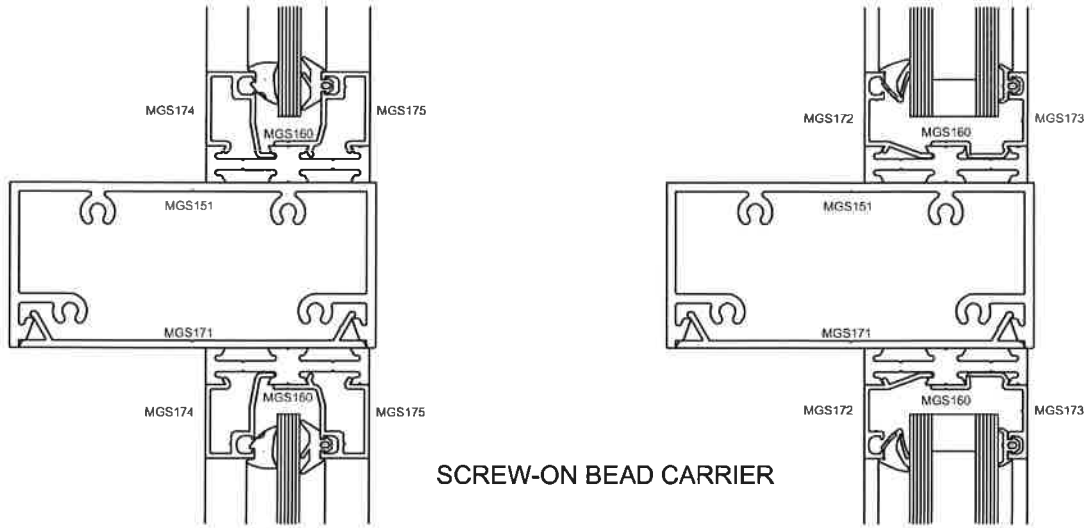


DOUBLE GLAZING

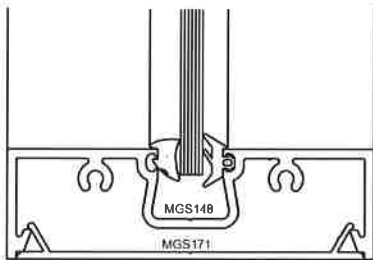


DOUBLE GLAZING

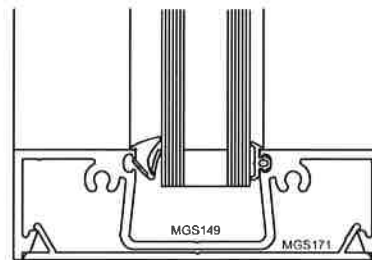
ANCILLIARY DETAILS



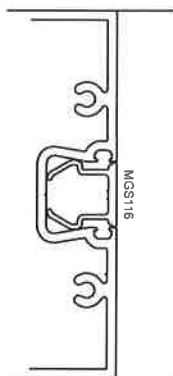
SCREW-ON BEAD CARRIER



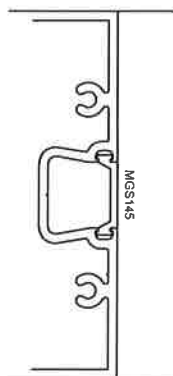
SINGLE GLAZED 30MM POCKET BOX



DOUBLE GLAZED 30MM POCKET BOX

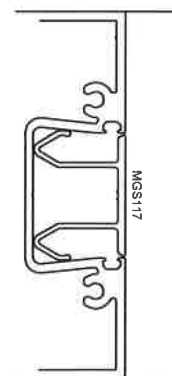


PUSH IN FILLER

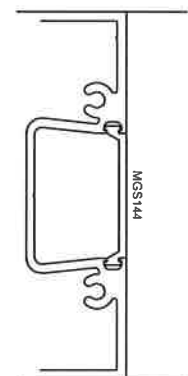


SLIDE IN FILLER

SINGLE GLAZING



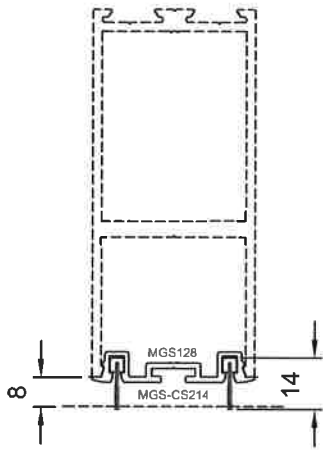
PUSH IN FILLER



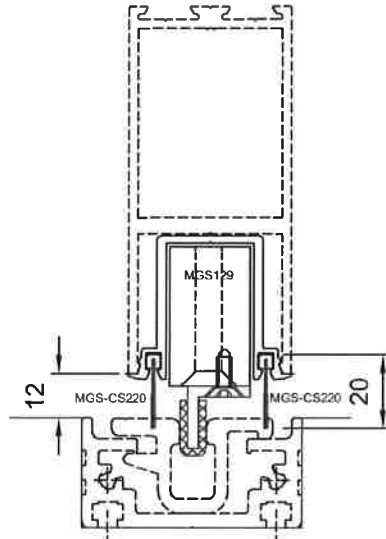
SLIDE IN FILLER

DOUBLE GLAZING

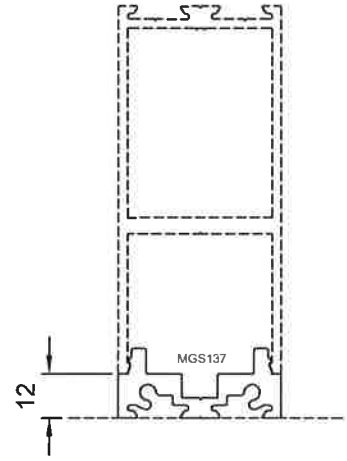
ANCILLIARY DETAILS



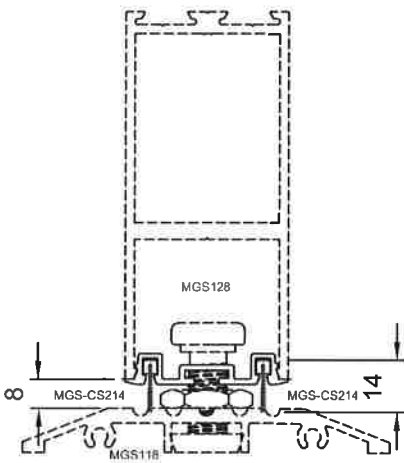
BRUSHSTRIP CARRIER  
PIVOT DOOR



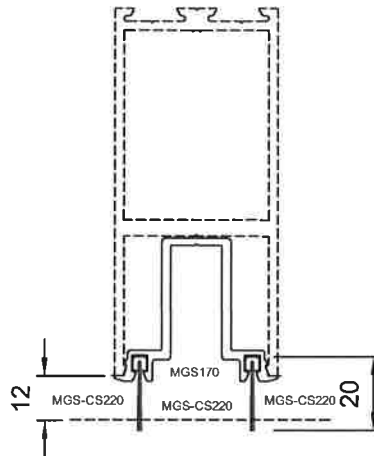
BRUSHSTRIP CARRIER  
FLOOR GUIDE CHANNEL



SIDE SCREEN FLOOR TRACK  
BEAD CARRIER

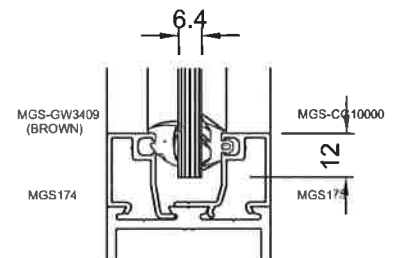
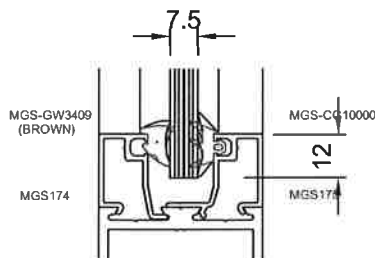
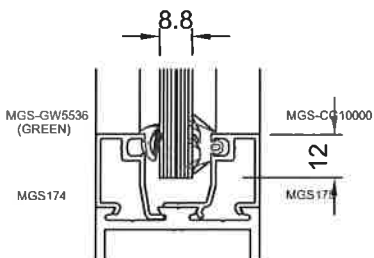
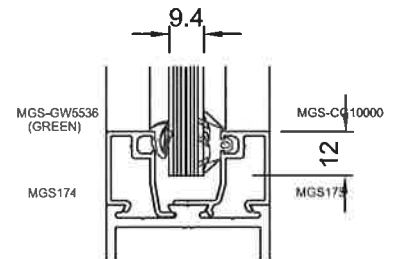
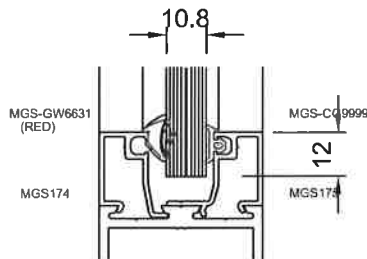
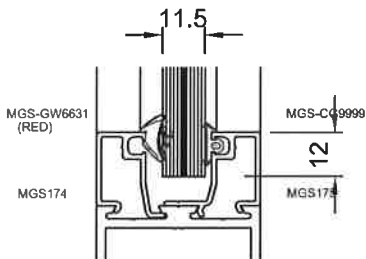
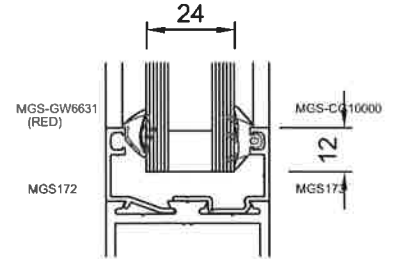
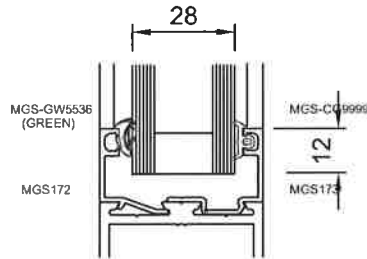
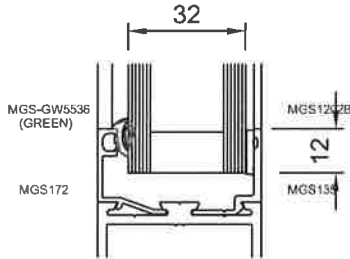


BRUSHSTRIP CARRIER  
PIVOT DOOR



BRUSHSTRIP CARRIER  
FLOOR GUIDE CHANNEL

GLAZING OPTIONS



GLAZING OPTIONS

